

Special statement: The data of this data is interpreted by the technical department of the company.
Any parameters are subject to change without prior notice.

DESIGN 131-8588-9715



VALTEC
阀钛阀业

VALTEC CHINA CO.,LTD.

TIANJIN TKT VALTEC CO.,LTD.

Factory Add:Yingpanquan,Xiaozhan Town,Jinnan District,Tianjin City,China

Office:No.1308,Daonan Road,Xigong District,Tianjin City,China

ООО «ТИ-СИСТЕМС» ИНЖИНИРИНГ И ПОСТАВКА ТЕХНОЛОГИЧЕСКОГО ОБОРУДОВАНИЯ

Интернет: www.tisys.ru www.tisys.kz www.tisys.by www.tesec.ru www.ти-системс.рф

Телефоны для связи: +7 (495) 7774788, (925)7489626, 5007154, 55, 65 Эл. почта: info@tisys.ru info@tisys.kz info@tisys.by



VALTEC
阀钛阀业

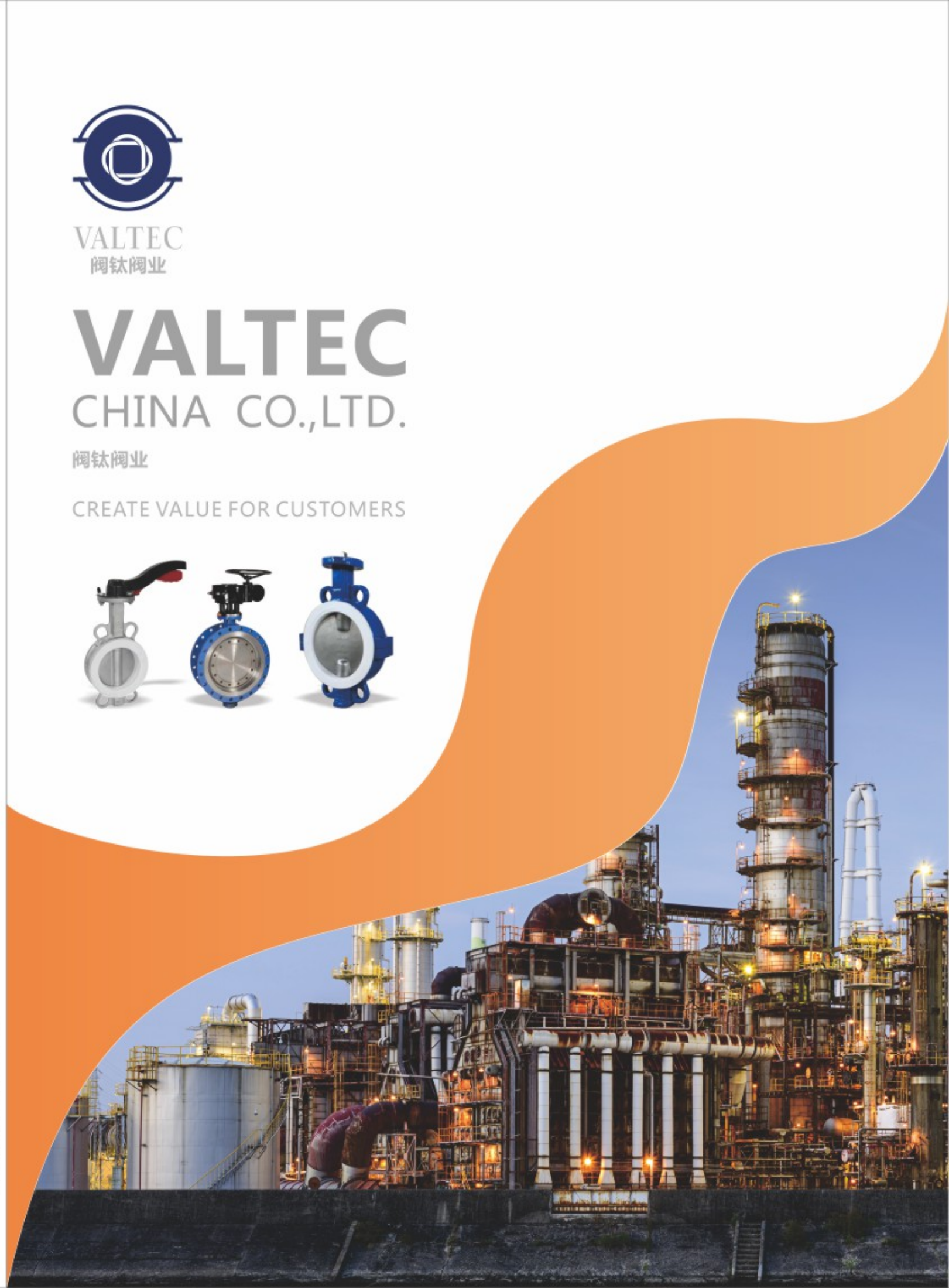
VALTEC
CHINA CO.,LTD.

阀钛阀业

CREATE VALUE FOR CUSTOMERS



VALTEC CHINA CO.,LTD.





VALTEC
阀钛阀业



Company Profile

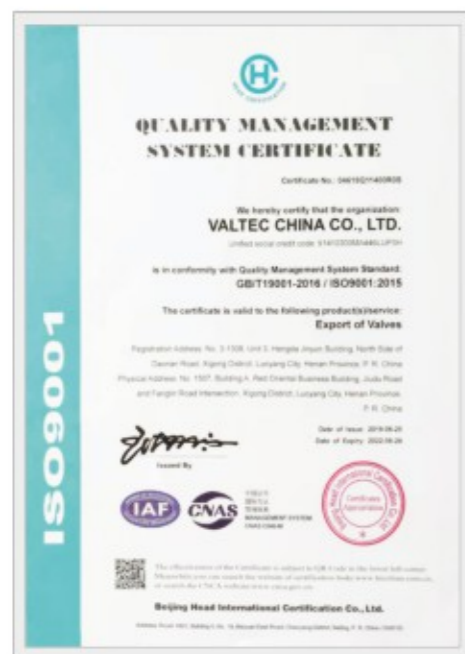
Valtec mainly manufacture all kinds of cast iron butterfly valves and gate valves. The company have been dedicated in valve manufacturing industry for tens of years and accumulate a rich experience of producing valves. In the year 2003, TKT valve started to expand international market and export the products to worldwide countries. And for better development of foreign trade business, in 2017, we built Daryu Valve Manufacture Limited of Hongkong and Valtec China Co., Ltd and turned into Valtec Group, products of Tianjin TKT Valtec is all kinds of butterfly and gate valves. And main products of Valtec are all kinds of various valves except butterfly valve and gate valve. Now the company become one of China's leading suppliers of water management valve products and product solutions. Furthermore, we have built up our own strong brands "TKT" and "VALTEC".

TKT Valtec Valve's core products include resilient butterfly valve, gate and all products conform to international standards. TKT Valtec's quality system is strictly certified by ISO 9001, most products have approval of CE, TS, PED etc

As the quality is high quality, price competitive, and service professional, our products have been exported to Europe, North America, South America, Southeast Asia more than 200 countries. We are always creative to defining new standards in valves for water, welcome to join us and start a win-win business cooperation!



Enterprise qualification



One corner of the factory

- Advanced equipment and testing instruments,
- Excellent process and strict quality management system,
- And gathered a professional and technical elite and leading level of scientific and technological team,
- Make full use of new technologies, technologies and materials,
- Ensure the stability and reliability of the product.





Product Highlights

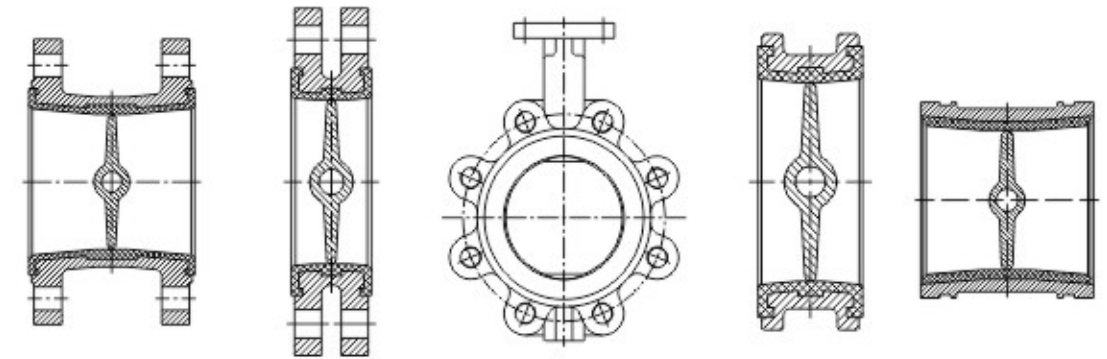
Perfect Quality



Quality is the "passport" for companies to go to market. Brands can generate strong expansion power and are the top priority for the development of survival maps. "Integrity, quality and quality is always the quality goal we always pursue."



Soft Sealing Butterfly Valve Description



Butterfly valve is used to adjust the medium flow in the pipe by opening and closing. It is simple structured, small volume, light weighted with small installation size. It can be divided into three basic forms of connection as wafer type connection (including lug wafer and U wafer connection), flange type connection and clamped type connection according to the body connection formation.

Product parts and materials

Valve body		Valve plate		Shaft	Bushing	Valve seat		
Material name	Code	Material name	Code	Material name	Material name	Material name	Code	Applicable temperature °C
Gray iron	Z	Galvanized ductile iron	B1	Stainless steel	Lubricated bronze	Natural gum	X1	-20 ~ +85°C
Spheroidal graphite cast iron	Q	Aluminium bronze	B2	Carbon steel	Teflon	Hypalon	X2	-18 ~ +135°C Short-term -18 ~ +149
Aluminium bronze	T	ZG1Cr18Ni9Ti Stainless steel	B3			Ethylene propylene rubber	X3	-45 ~ +135°C Short-term -50 ~ +150
ZG1Cr18Ni9Ti Stainless steel	P	Titanium	B4			Chloroprene rubber	X4	-7 ~ +93°C Short-term -7 ~ +107
CF8M Stainless steel	R	CF8M Stainless steel	B5			NBR	X5	-12 ~ +82°C Short-term -12 ~ +93
Carbon steel	C	Carbon steel	B6			Wear-resistant rubber	X6	-10 ~ +100°C
		CF8 Stainless steel	B7			Fluorine rubber	X7	-23 ~ +200°C
						Heat resistant ethylene propylene rubber	X9	-23 ~ +135°C
						Teflon	F4	+10 ~ 150°C

Contents

● Butterfly Valve

- 01 Soft Sealing Butterfly Valve Description
- 02-03 A Type Wafer Butterfly Valve
- 04 Replaceable Seat Butterfly Valve
- 05 Anti-condensation butterfly valve
- 06 Soft back butterfly valve
- 07 Lug Type Butterfly Valve
- 08 Double Flange Butterfly Valve
- 09 Double Shaft Butterfly Valve
- 10 Aluminum Butterfly Valve
- 11 Wafer Universal Butterfly Valve
- 12 Teflon Butterfly Valve
- 13 Double Shaft Butterfly Valve
- 14 Single-plate Wafer Lift Check Valve(Short Patten)
- 15 Wafer Check Valve

● ANSI Valve s

- 16 125LB Rising Gate Valve
- 17 125LB Non-Rising Gate Valve
- 18 125LB Swing Check Valve
- 19 125LB Y-Strainer

● JIS Valve s

- 20 10K Rising Gate Valve
- 21 10K Globe Valve
- 22 10K Swing Check Valve
- 23 10K Ball Valve

● DIN Valve s

- 24 PN10/PN16/BS5163 Gate Valve
- 25 F4 Gate Valve
- 26 PN10/PN16 Globe Valve
- 27 Bellow Seal Globe Valve
- 28 PN10/PN16 Y-Strainer
- 29 PN10/PN16 Ball Valve

● Other Valve s

- 30 Rubber Wedge Swing Check Valve
- 31 Knife gate valve
- 33 Flange knife gate valve
- 34 Vent valve
- 35-37 API Floating ball valve
- 38 Forged Steel Flanged Gate Valve
- 39 Forged Steel Internal Thread, Socket Welding Globe Valve
- 40 Forged Steel Internal Thread, Socket Welding Check Valve
- 41 API603 Cast Stainless Steel Wedge Gate Valve
- 42 ANSI Cast Steel Globe Valve
- 43 ANSI Cast Steel Check Valve
- 44 ANSI Butterfly Valve
- 45 Cast Steel Y Strainer
- 46-47 Stainless Steel Screw Valve Series
- 48-49 API gate valve
- 50-51 API globe valve
- 52-53 API swing check valve
- 54 Rubber Dampers (Rubber Joint)

A Type Wafer Butterfly Valve

Product introduction

The factory production of type A, type LT wafer butterfly valve is to introduce advanced technology the United States, with many years of the production history, has won the national quality award. Transmission mode; handle, worm gear, pneumatic, electric etc.. The diameter range of DN25~DN1200.

The factory butterfly valve can be used in petroleum, chemical industry, food, medicine, paper making, water and electricity, shipping, to the pipeline of the drainage, metallurgy, energy, and the system, applicable to a variety of corrosive gas, liquid, semi liquid and solid powder medium.

Product features

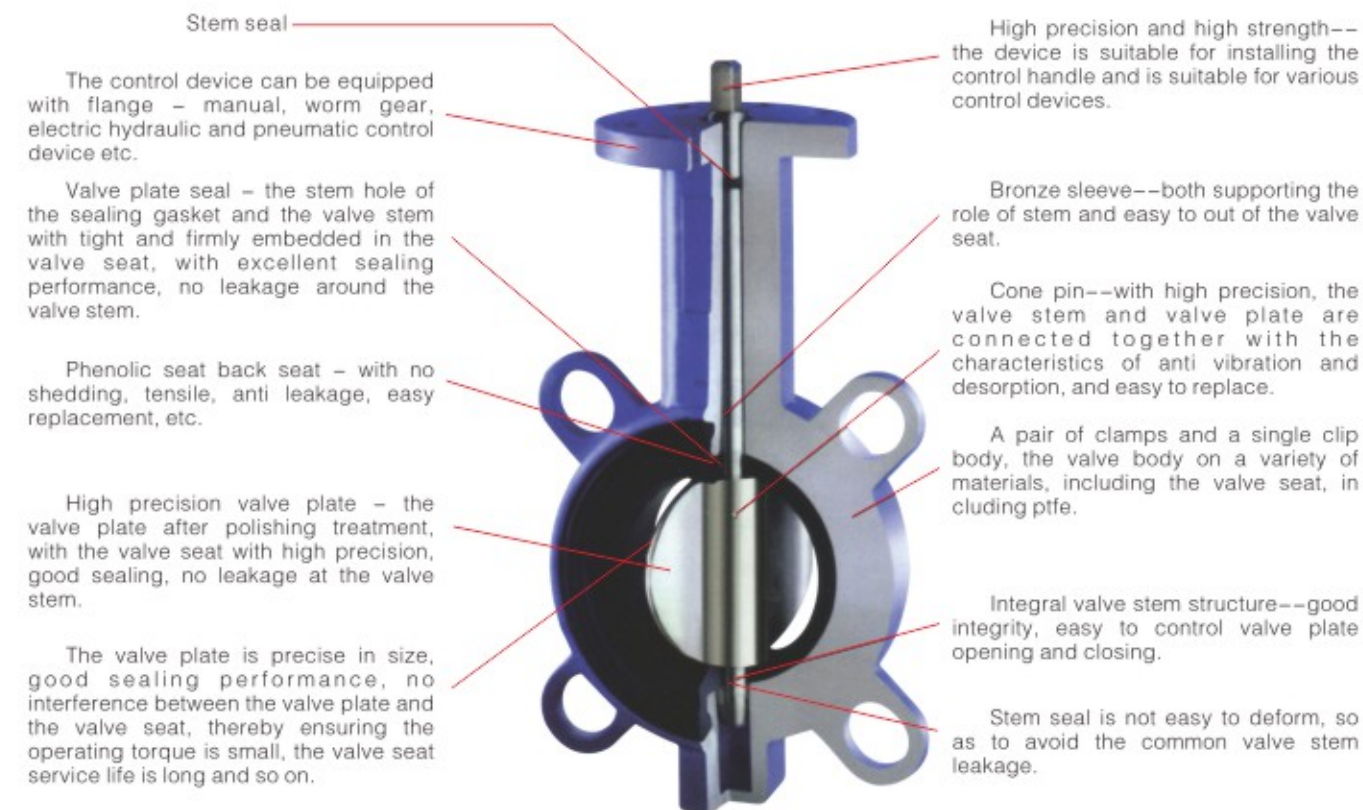
Butterfly valve is mainly consists of the valve body, a rotating shaft, valve plate, seat and drive mechanism (handle, worm and worm wheel, gas dynamic or electronic device) etc., by driving mechanism driven shaft and the butterfly plate rotation to achieve the purpose of opening and closing and flow control. Its characteristics are as follows:

- Simple and compact structure, compact and lightweight, easy disassembly, transportation and installation;
- The 90 on-off switch quickly. Operation torque small lightweight effort;
- Good sealing performance, long service life, can achieve zero leakage;
- Wide selection of materials, applicable for various media;
- Similar to the linear flow characteristics, good regulating performance.

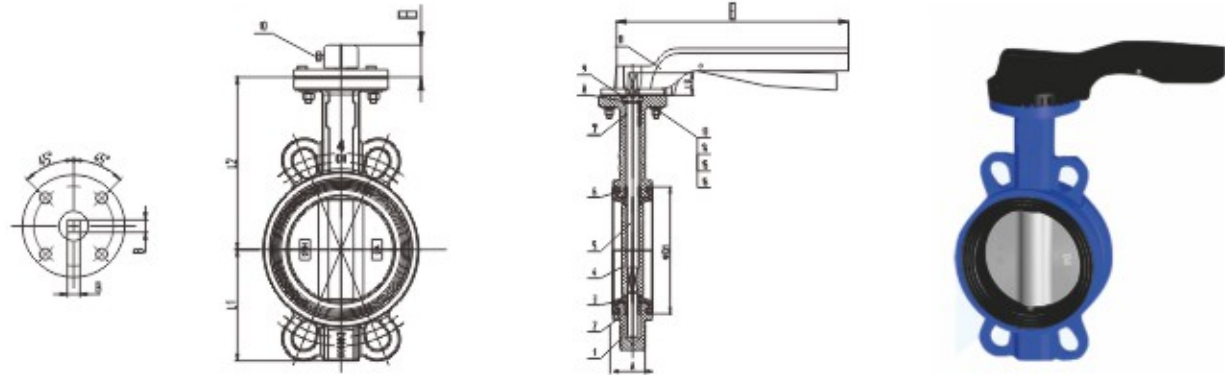
Product performance specification

Nominal pressure PN(MPa)	Nominal diameter DN(mm)	Test pressure (MPa)		Suitable medium	Driving method
		Housing	Seal up		
1.0	25~1200	1.5	1.1	Fresh water, sewage, sea water, air, Steam, food, medicine, oil, Acid, alkali etc.	Handle, worm gear, electric, Pneumatic
1.6		2.4	1.76		

A Type Wafer Butterfly Valve



Replaceable Seat Butterfly Valve



Universal Wafer Type Butterfly Valve
Suitable for PN10/PN16/ANSI150/JIS10K
Replaceable Dovetail/Booted Seat
High Quality Aluminum Handle
100% Zero Leakage

Coating

External FBE coating process with colour RAL5017 thickness of 250 μ m.

Material of main parts

No.	Parts	MATERIALS
1	Body	EN-GJS 400-15
2	Bushing	PTFE
3	Disc	EPDM/NBR/VITON
4	Seat	EN-GJS 400-15 SS AISI 304 SS AISI 316
5	Stem	SS AISI 420(EN1.4021)
6	Bushing	PTFE
7	O-ring	NBR
8	Washer	SS201
9	Circlip	STEEL
10	Bolt	SS201
11	Lever	ALUMINUM

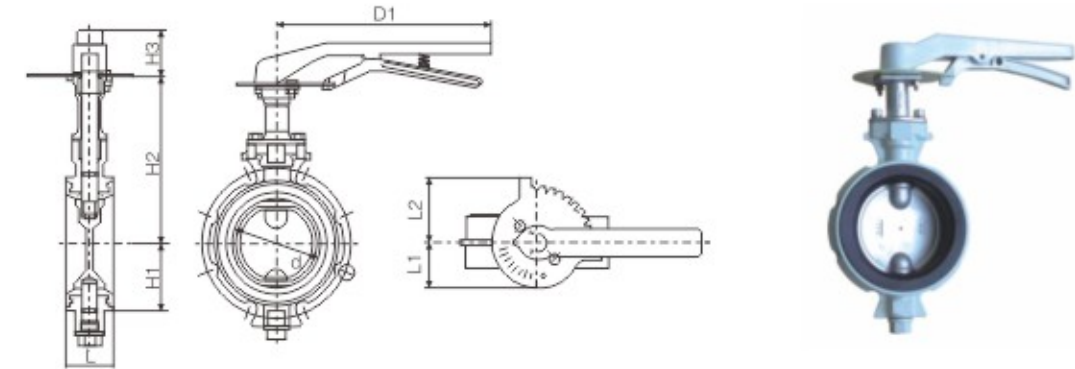
Product performance specification

Design Standard	EN 593, EN 1074-1 ed EN 1074-2
Face To Face	EN 558 Serie 20
Flanges	EN 1092-2
Tests	EN 12266-1
Top Flange	ISO 5211
Working Temperature	EPDM \leq +120°C NBR \leq +80°C

Product connection size

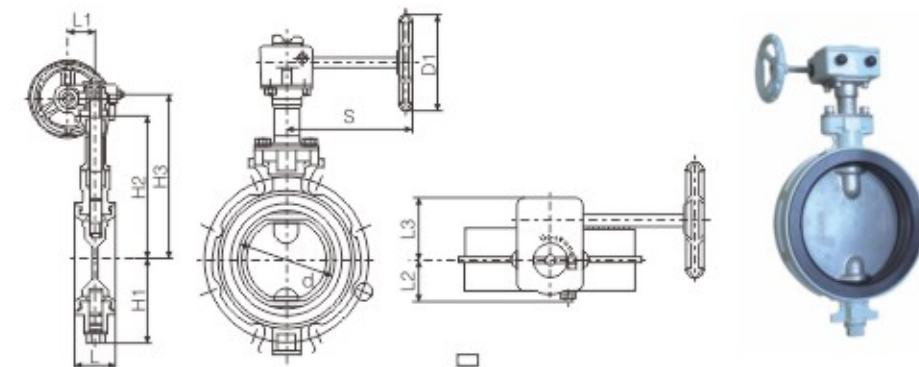
Nominal Diameter		A	D1	L1	L2	L3	B	ISO5211	E	F
1.5"	DN40	33	69	56	101	30	9	F05	213	39
2"	DN50	43	73.3	72	132	30	9	F05	213	39
2.5"	DN65	46	86	80	138	30	9	F05	213	39
3"	DN80	46	100.9	95	153	30	9	F05	213	39
4"	DN100	52	132	108	167	35	11	F07	222	45
5"	DN125	56	156	125	183	35	14	F07	296	45
6"	DN150	56	185.4	136	195	35	14	F07	296	45
8"	DN200	60	235.2	170	236	45	17	F10	340	53

Anti-condensation butterfly valve



Product connection size

Nominal Diameter		d	L	H1	H2	H3	L1	L2	D1
mm	inch								
40	1 1/2"	42	33	70	145	51	47	68	250
50	2"	52	43	82	145	51	47	68	250
65	2 1/2"	67	46	90	157	51	47	68	250
80	3"	80	46	99	165	51	47	68	250
100	4"	102	52	112	183	51	47	68	250
125	5"	126	56	132	196	60	63	86	330
150	6"	150	56	146	214	60	63	86	330



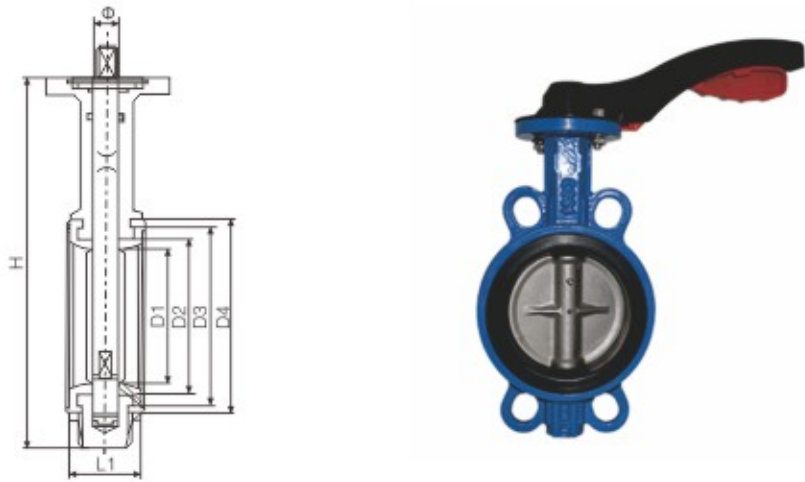
Product connection size

Nominal Diameter		d	L	H1	H2	H3	L1	L2	L3	L2 S	D1
mm	inch										
40	1 1/2"	42	33	70	145	168	35	35	56	132	100
50	2"	52	43	82	145	168	35	35	56	132	100
65	2 1/2"	67	46	90	157	180	35	35	56	132	100
80	3"	80	46	99	165	188	35	35	56	132	100
100	4"	102	52	112	183	206	41	39	68	132	100
125	5"	126	56	132	196	220	58	48	89	149	140
150	6"	150	56	146	214	238	58	48	89	149	140
200	8"	199	60	188	241	272	58	48	89	149	140
250	10"	248	68	220	320	367	67	61	97	178	200
300	12"	297	78	255	355	402	67	63	97	178	200

Soft back butterfly valve

Soft back butterfly valve

- 1, small and light, easy to disassemble and repair, and then install in any position.
- 2, the structure is simple, compact, 90° swing open and close quickly.
- 3, the operating torque is small, labor-saving and light.
- 4, The flow characteristics tend to be straight and the adjustment performance is good.
- 5, the opening and closing test times up to 10,000 times, long life.
- 6, to achieve complete sealing, gas test leakage is zero.
- 7, select different parts and materials, can be applied to a variety of media.

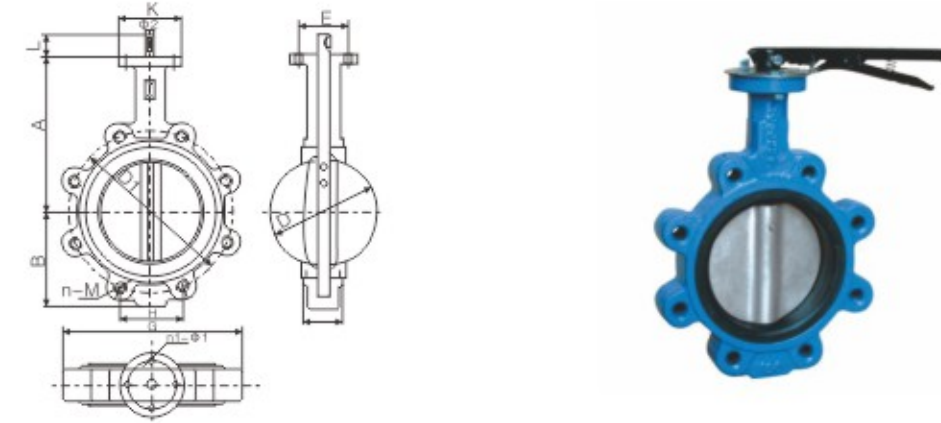


Product connection size

Nominal Diameter		d	L	H1	H2	H3	L1	L2
mm	inch							
50	2"	43	52.9	63	72	81	12.6	203.34
65	2½"	46	64.45	75	85	95	12.6	222.14
80	3"	46	78.8	90	104	114	12.6	237.5
100	4"	52	104.1	114	126	137	15.77	270.5
125	5"	56	123.3	134	152	164	18.92	300
150	6"	56	155.8	166	179	192	18.92	326
200	8"	60	202.5	215	232	248	22.1	407.99
250	10"	68	250.5	263	281	301	28.45	472.5
300	12"	78	301.5	314	334	354	31.6	544
350	14"	76.5	333.5				31.6	635
400	16"	85.7	389.6				33.15	709
450	18"	104.6	440.51				38	750
500	20"	130.28	491.6				41.15	841
600	24"	151.36	592.5				50.65	1021
700	28"	163	695				55/63.35	1144
800	32"	188	794.5				55/63.35	1263

Note: Flange standard Japanese standard 5K, 10K, American standard 150Lb, national standard 10, 16

Lug Type Butterfly Valve



Product connection size

Nominal Diameter		A	B	C	D	L	H	D1	n-Φ	K	E	n1-Φ1	Φ2	G
mm	inch													
50	2"	161	80	42	52.9	32	88.38	125	4-M16	77	57.15	4-6.7	12.6	118
65	2½"	175	89	44.7	64.5	32	102.54	145	4-M16	77	57.15	4-6.7	12.6	137
80	3"	181	95	45.2	78.8	32	113.14	160	4-M16	77	57.15	4-6.7	12.6	143
100	4"	200	114	52.1	104	32	68.88	180	8-M16	92	69.85	4-10.3	15.77	206
125	5"	213	127	54.4	123.3	32	80.36	210	8-M16	92	69.85	4-10.3	18.92	238
150	6"	226	139	55.8	155.6	32	91.84	240	8-M20	92	69.85	4-10.3	18.92	266
200	8"	260	175	60.6	202.5	45	112.89/76.35	295	8-M20/12-M24	115	88.9	4-14.3	22.1	317/329
250	10"	292	203	65.6	250.5	45	90.59/91.88	350/355	12-M20/12-M24	115	88.9	4-14.3	28.45	393
300	12"	337	242	76.9	301.6	45	103.52/106.12	400/410	12-M20/12-M24	140	107.95	4-14.3	31.6	462
350	14"	368	267	76.5	333.3	45	89.74/91.69	460/470	16-M20/16-M24	140	107.95	4-14.3	31.6	515
400	16"	400	309	85.7	389.6	51.2/72	100.48/102.42	515/525	16-M24/16-M27	197	158.75	4-20.6	33.15/37.9	579
450	18"	422	328	104.6	440.51	51.2/72	88.38/91.51	565/585	20-M24/20-M27	197	158.75	4-20.6	38/42.86	627
500	20"	480	361	130.28	491.6	52.75/77.5	96.99/101.68	620/650	20-M24/20-M30	197	156.25	4-20.6	41.15/45.72	696
600	24"	562	459	151.36	592.5	70.2/82	113.42/120.46	725/770	20-M27/20-M33	276	215.9	4-22.2	50.65/53.98	821

Note:

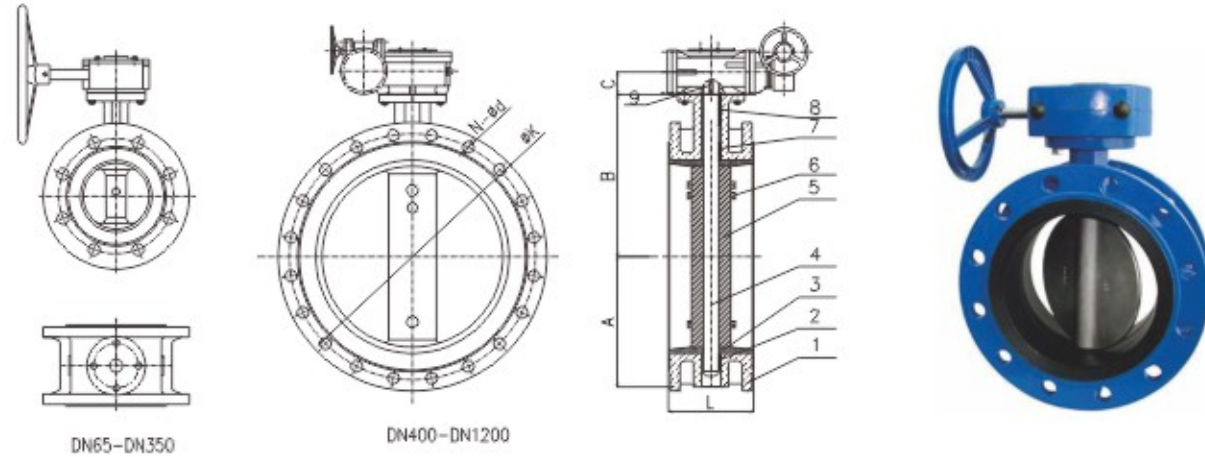
1. DN50 (2") ~ 600 (24") "LT" type butterfly valves are applicable to PN1.0 / PN1.6MPa two pressure levels respectively, each of the two sizes in the table indicates PN1.0 / PN1.6MPa two pressure level connection dimensions. The pipe flange connection size to be connected to the valve is based on the flange connection dimension table. The butterfly valve upper flange can be used for manual, turbine rod drive, electric, pneumatic and other transmissions.

2. The structure, performance and material of the "LT" butterfly valve are the same as the "A" type. The difference is that the "A" type can be connected to the two flanges by double studs (or elongated hexagon bolts). Sword (ie, the clip type). The "LT" type is connected between the two pipes by two ordinary hex bolts. It can also be installed at the pipe end (ie single clamp type) as the venting valve, but the pipe end should be indicated in the order contract.

The above two forms are indicated by the user in the order contract.

Flange connection dimensions conform to G4216, DIN2501, BS4504, BS10-E, JISB2220, ANSI B 16.1 and other standards, which must be indicated by the user in the contract.

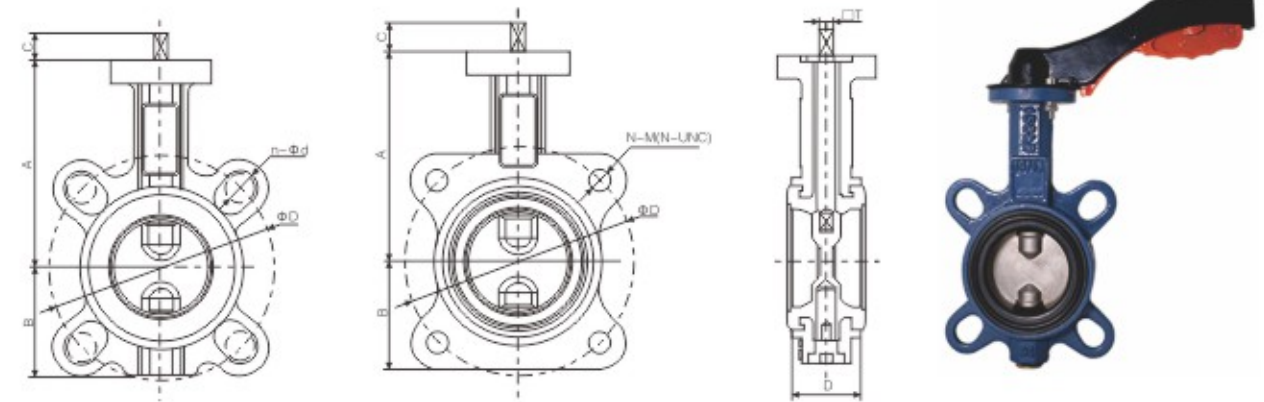
Double Flange Butterfly Valve



Product connection size

SIZE		A	B	C	L	ANSI 150LB		DIN PN 10		DIN PN 16		JIS 10K		top flange		
mm	in					ΦK	N-Φd	ΦK	N-Φd	ΦK	N-Φd	ΦK	N-Φd	ΦK	N-Φd	ΦD
65	2 1/2"	72	136	32	112	139.7	4-Φ19	145	4-Φ18	145	4-Φ18	140	4-Φ19	77	57	4-Φ7
80	3"	88	146	32	114	152.4	4-Φ19	160	8-Φ18	160	8-Φ18	150	8-Φ19	65	50	4-Φ7
100	4"	96.5	158	32	127	190.5	8-Φ19	180	8-Φ18	180	8-Φ18	175	8-Φ19	90	70	4-Φ10
125	5"	115	179	32	140	215.9	8-Φ22.4	210	8-Φ18	210	8-Φ18	210	8-Φ23	90	70	4-Φ10
150	6"	126	197	32	140	241.3	8-Φ22.4	240	8-Φ22	240	8-Φ22	240	8-Φ23	90	70	4-Φ10
200	8"	161	230	45	152	298.4	8-Φ22.4	295	8-Φ22	295	12-Φ22	290	12-Φ23	115	89	4-Φ14
250	10"	199	271	45	165	361.9	12-Φ25.4	350	12-Φ22	355	12-Φ26	355	12-Φ25	115	89	4-Φ14
300	12"	215	305	45	178	431.8	12-Φ25.4	400	12-Φ22	410	12-Φ26	400	16-Φ25	140	108	4-Φ14
350	14"	261	350	45	190	476.2	12-Φ28.4	460	16-Φ22	470	16-Φ26	445	16-Φ25	140	108	4-Φ14
400	16"	290	381	51	216	539.7	16-Φ28.4	515	16-Φ26	525	16-Φ30	510	16-Φ27	197	159	4-Φ21
450	18"	307	392	51	222	577.8	16-Φ31.8	565	20-Φ26	585	20-Φ30	565	20-Φ27	197	159	4-Φ21
500	20"	340	441	57	229	635	20-Φ31.8	620	20-Φ26	650	20-Φ33	620	20-Φ27	197	159	4-Φ21
600	24"	396	500	70	267	749.3	20-Φ35.1	725	20-Φ30	770	20-Φ36	730	24-Φ33	276	216	4-Φ22
700	28"	496	567	66	292	863.6	28-Φ35.1	840	24-Φ30	840	24-Φ36	840	24-Φ33	300	254	8-Φ18
800	32"	543	641	66	318	977.9	28-Φ41.1	950	24-Φ33	950	24-Φ39	950	28-Φ33	300	254	8-Φ18
900	36"	584	692	118	330	1085.8	32-Φ41.1	1050	28-Φ33	1050	28-Φ39	1050	28-Φ33	300	254	8-Φ18
1000	40"	638	735	142	410	1200.2	38-Φ41.1	1160	28-Φ36	1170	28-Φ42	1270	28-Φ39	300	254	8-Φ18
1200	48"	763	917	150	470	1422.4	44-Φ41.1	1380	32-Φ39	1390	32-Φ48	1380	32-Φ39	300	298	8-Φ22

Double Shaft Butterfly Valve



Material of main parts

Body	Disc	Stem	Seat	Actuator
Cast iron	Ductile Iron	Stainless Steel	EPDM / NBR	Lever
Ductile iron	Stainless Steel	Customised	WRAS-EPDM	Gearbox& handwheel
	Aluminum Bronze		Viton	Electric
			Silicon	Pneumatic

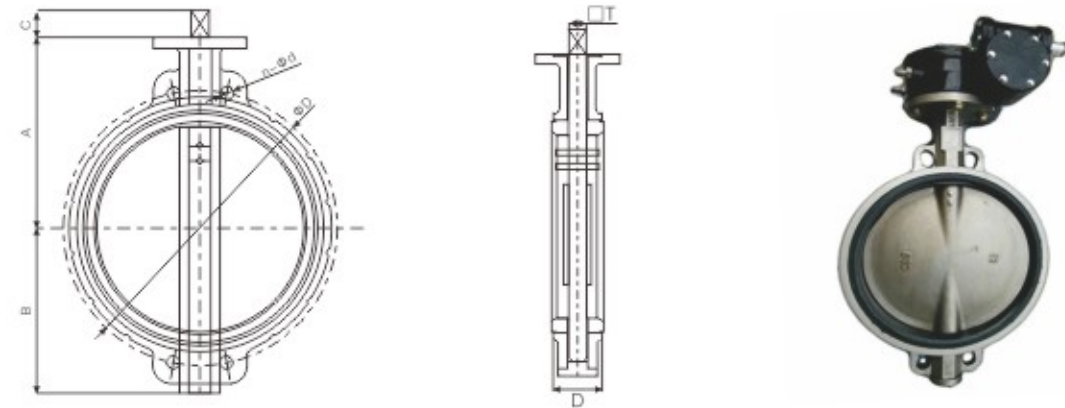
Product performance specification

Design Standard	API 609
Testing Standard	API 598
Top Flange Standard	ISO 5211
End Flange Standard	PN10/PN16, ANSI 125LB/150LB, JIS B2220 10K
Face To Face Standard	API 609, EN558-1 20 Series, BS5155, DIN3202 K1

Product connection size

Nominal Diameter	A	B	C	D	□T	PN10		PN16		ANSI 150LB		N-M		N-UNC	Top Flange
						ΦD	n-Φd	ΦD	n-Φd	ΦD	n-Φd	PN10	PN16		
DN50	126	63	30	43	9*9	125	4-19	125	4-19	120.6	4-19	4-M16	4-M16	4-5/8	F05
DN65	134	70	30	46	9*9	145	4-19	145	4-19	139.7	4-19	4-M16	4-M16	4-5/8	F05
DN80	154	85	30	46	9*9	160	4-19	160	4-19	152.4	4-19	8-M16	8-M16	4-5/8	F05
DN100	170	106	30	52	11*11	180	4-19	180	4-19	190.5	4-19	8-M16	8-M16	8-5/8	F07
DN125	182	115	30	56	14*14	210	4-19	210	4-19	215.9	4-22.4	8-M16	8-M16	8-3/4	F07
DN150	196	128	30	56	14*14	240	4-23	240	4-23	241.3	4-22.4	8-M20	8-M20	8-3/4	F07
DN200	239	160	45	60	17*17	295	4-23	295	4-23	298.4	4-22.4	8-M20	12-M20	8-3/4	F10
DN250	258	190	45	68	22*22	350	4-23	355	4-28	361.9	4-25.4	12-M20	12-M24	12-7/8	F10
DN300	300	235	45	78	22*22	400	4-23	410	4-28	431.8	4-25.4	12-M20	12-M24	12-7/8	F10

Aluminum Butterfly Valve



Material of main parts

Body	Disc	Stem	Seat	Actuator
CF8	CF8	Stainless Steel		Lever
CF8M	CF8M	Customised	WRAS-EPDM Viton	Gearbox& handwheel Electric
			Silicon	Pneumatic

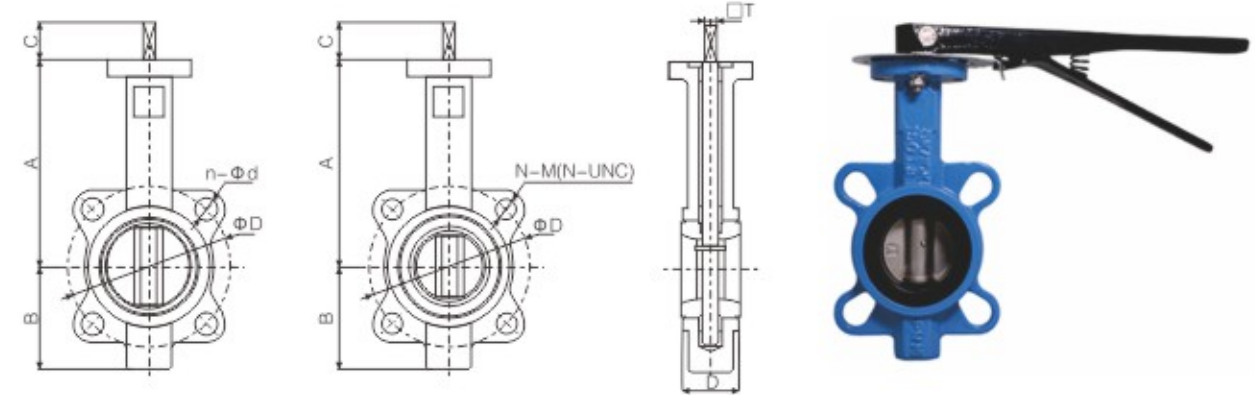
Product performance specification

Design Standard	API 609
Testing Standard	API 598
Top Flange Standard	ISO 5211
End Flange Standard	PN10/PN16,ANSI 125LB/150LB, JIS B2220 10K
Face To Face Standard	API 609,EN558-1 20 Series,BS5155,DIN3202 K1

Product connection size

Nominal Diameter	A	B	C	D	$\square T$	PN10		PN16		ANSI 150LB		Top Flange
						ΦD	$n-\Phi d$	ΦD	$n-\Phi d$	ΦD	$n-\Phi d$	
DN50	126	63	30	43	9*9	125	4-19	125	4-19	120.6	4-19	F05
DN65	133	69	30	46	9*9	145	4-19	145	4-19	139.7	4-19	F05
DN80	152	86	30	46	9*9	160	4-19	160	4-19	152.4	4-19	F05
DN100	170	106	30	52	11*11	180	4-19	180	4-19	190.5	4-19	F07
DN125	181	115	30	56	14*14	210	4-19	210	4-19	215.9	4-22.4	F07
DN150	196	128	30	56	14*14	240	4-23	240	4-23	241.3	4-22.4	F07
DN200	238	160	35	60	17*17	295	4-23	295	4-23	298.4	4-22.4	F10
DN250	258	190	35	68	19*19	350	4-23	355	4-28	361.9	4-25.4	F10
DN300	300	235	35	78	22*22	400	4-23	410	4-28	431.8	4-25.4	F10
DN350	316	264	41	78	22*22	460	4-23	470	4-28	476.2	4-28.4	F10
DN400	356	309	51	102	27*27	515	4-28	525	4-31	539.7	4-28.4	F14
DN450	380	340	51	114	27*27	565	4-28	585	4-31	577.8	4-31.8	F14
DN500	420	371	57	127	36*36	620	4-28	650	4-34	635	4-31.8	F14

Wafer Universal Butterfly Valve



Material of main parts

Body	Disc	Stem	Seat	Actuator
Cast iron	Ductile Iron	Stainless Steel	EPDM / NBR	Lever
Ductile iron	Stainless Steel	Customised	WRAS-EPDM	Gearbox& handwheel
Customised	Aluminum Bronze		Viton	Electric
Stainless Steel			Silicon	Pneumatic

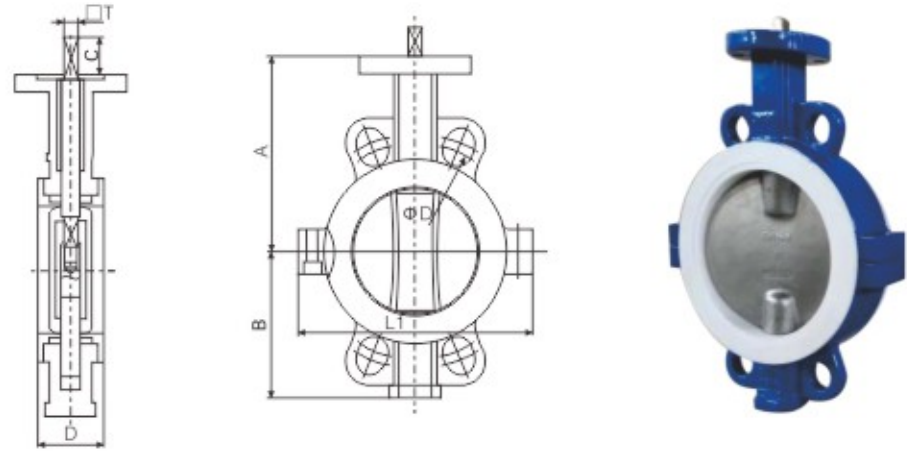
Product performance specification

Design Standard	API 609
Testing Standard	API 598
Top Flange Standard	ISO 5211
End Flange Standard	PN10/PN16,ANSI 125LB/150LB, JIS B2220 10K
Face To Face Standard	API 609,EN558-1 20 Series,BS5155,DIN3202 K1

Product connection size

Nominal Diameter	A	B	C	D	$\square T$	PN10		PN16		ANSI 150LB		N-M		N-UNC	Top Flange
						ΦD	$n-\Phi d$	ΦD	$n-\Phi d$	ΦD	$n-\Phi d$	PN10	PN16	ANSI 150LB	
DN50	161	80	30	43	9*9	125	4-19	125	4-19	120.6	4-19	4-M16	4-M16	4-5/8	F05
DN65	175	89	30	46	9*9	145	4-19	145	4-19	139.7	4-19	4-M16	4-M16	4-5/8	F05
DN80	181	95	30	46	9*9	160	4-19	160	4-19	152.4	4-19	8-M16	8-M16	4-5/8	F05
DN100	200	114	30	52	11*11	180	4-19	180	4-19	190.5	4-19	8-M16	8-M16	8-5/8	F07
DN125	213	127	30	56	14*14	210	4-19	210	4-19	215.9	4-22.4	8-M16	8-M16	8-3/4	F07
DN150	226	139	30	56	14*14	240	4-23	240	4-23	241.3	4-22.4	8-M20	8-M20	8-3/4	F07
DN200	260	175	35	60	17*17	295	4-23	295	4-23	298.4	4-22.4	8-M20	12-M20	8-3/4	F10
DN250	292	203	35	68	19*19	350	4-23	355	4-28	361.9	4-25.4	12-M20	12-M24	12-7/8	F10
DN300	337	242	35	78	22*22	400	4-23	410	4-28	431.8	4-25.4	12-M20	12-M24	12-7/8	F10
DN350	368	267	41	78	22*22	460	4-23	470	4-28	476.2	4-28.4	16-M20	16-M24	12-1	F10
DN400	400	312	51	102	27*27	515	4-28	525	4-31	539.7	4-28.4	16-M24	16-M27	16-1	F14
DN450	422	330	51	114	27*27	565	4-28	585	4-31	577.8	4-31.8	20-M24	20-M27	16-1 1/8	F14
DN500	480	363	57	127	36*36	620	4-28	650	4-34	635	4-31.8	20-M24	20-M30	20-1 1/8	F14

Teflon Butterfly Valve



Material of main parts

Body	Disc	Stem	Seat	Actuator
Ductile Iron	WCB+PTFE	Stainless Steel	PTFE	Lever
Carbon Steel	Stainless steel + PTFE			Gearbox & handwheel
Stainless Steel	Stainless Steel	Customised		Electric
				Pneumatic

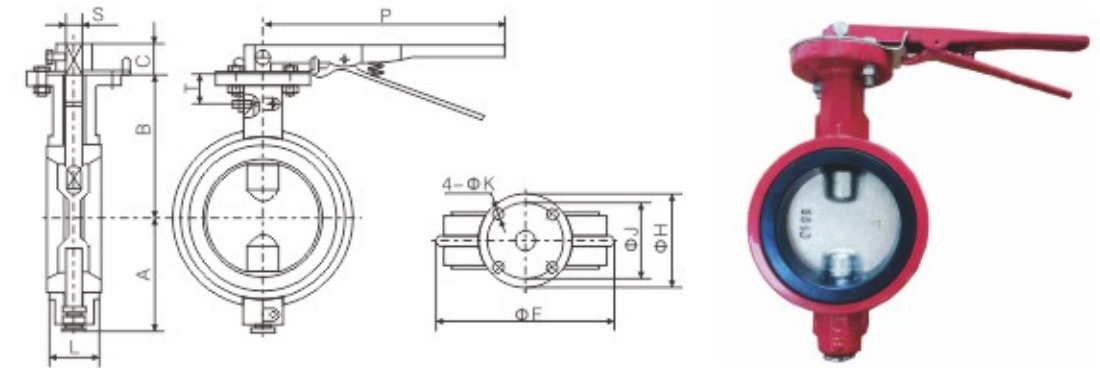
Product performance specification

Design Standard	API 609
Testing Standard	API 598
Top Flange Standard	ISO 5211
End Flange Standard	ASTM B16.5(150#)/ASTM B16.42(150#)/ASTM B16.1(125#)/DIN 2501(1.0/1.6MPa)/JIS B2220(10K)/BS4504(1.0/1.6MPa)
Face To Face Standard	API 609

Product connection size

Nominal Diameter	A	B	C	D	□T	PN10		PN16		ANSI 150LB		N-M		N-UNC ANSI 150LB	Top Flange
						ΦD	n-Φd	ΦD	n-Φd	ΦD	n-Φd	PN10	PN16		
DN50	135	74	30	43	9*9	125	125	4-19	125	4-19	120.6	4-19	120	4-19	F05
DN65	135	80	30	46	9*9	136	145	4-19	145	4-19	139.7	4-19	140	4-19	F05
DN80	138	90	30	46	9*9	156	160	8-19	160	8-19	152.4	4-19	150	8-19	F05
DN100	158	118	30	52	11*11	190	180	8-19	180	8-19	190.5	8-19	175	8-19	F07
DN125	175	132	30	56	14*14	210	210	8-19	210	8-19	215.9	8-22.4	210	8-23	F07
DN150	190	146	30	56	14*14	240	240	8-23	240	8-23	241.3	8-22.4	240	8-23	F07
DN200	228	176	40	60	17*17	296	295	8-23	295	12-23	298.4	8-22.4	290	12-23	F10
DN250	268	215	40	68	22*22	360	350	12-23	355	12-28	361.9	12-25.4	355	12-25	F10
DN300	300	254	45	78	24*24	420	400	12-23	410	12-28	431.8	12-25.4	400	16-25	F10
DN350	335	280	45	78	24*24	470	460	16-23	470	16-28	476.2	12-28.4	445	16-25	F10
DN400	385	320	51	102	27*27	545	515	16-28	525	16-31	539.7	16-28.4	510	16-27	F14
DN450	430	365	51	114	27*27	600	565	20-28	585	20-31	577.8	16-31.8	565	20-27	F14
DN500	460	375	64	127	30*30	655	620	20-28	650	20-34	635	20-31.8	620	20-27	F14
DN600	520	446	70	154	36*36	700	725	20-31	770	20-37	749.3	20-35.1	730	24-33	F16
DN700	600	500	70	165	46*46	730	840	24-31	840	24-37	863.3	28-35.1	840	24-33	F25
DN800	650	550	70	190	46*46	950	24-34	950	24-41	977.9	28-41.1	950	28-33	F25	

Double Shaft Butterfly Valve



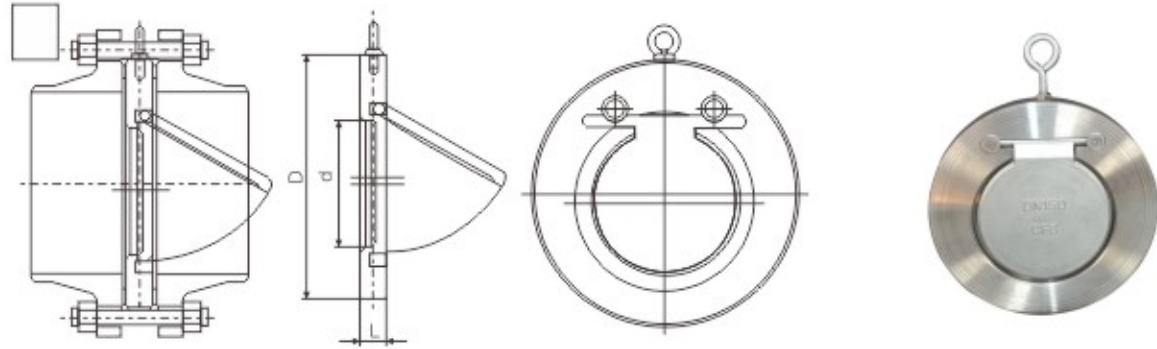
Product performance specification

Body	DI
Disc	DI/SS304/SS316
Seat	EPDM/NBR
Lever	Malleable Iron
Shaft	SS416/SS420

Product connection size

NPS	A	B	C	E	H	J	K	L	S	P	T	Φ
2"	2.99	3.94	1.26	4.13	4.0	3.25	0.44	1.65	0.39	10.23		0.5
2 1/2"	3.35	4.61	1.26	4.88	4.0	3.25	0.44	1.77	0.39	10.23		0.5
3"	3.66	4.92	1.26	5.37	4.0	3.25	0.44	1.77	0.39	10.23		0.5
4"	4.29	6.02	1.26	6.87	4.0	3.25	0.44	2.05	0.47	10.23		0.625
5"	4.84	6.14	1.26	7.75	4.0	3.25	0.44	2.13	0.55	10.23		0.75
6"	5.35	6.69	1.26	8.75	4.0	3.25	0.44	2.20	0.55	10.23	1.25	0.75
8"	6.54	9.45	1.49	11.00	5.98	5.00	0.56	2.36	0.67	14.00	2.20	0.875
10"	7.83	11.22	1.49	13.37	5.98	5.00	0.56	2.60	0.86	14.00	2.48	1.125
12"	9.37	11.81	1.49	16.13	5.98	5.00	0.56	3.03	0.94	14.00	1.96	1.25

Single-plate Wafer Lift Check Valve(Short Patten)

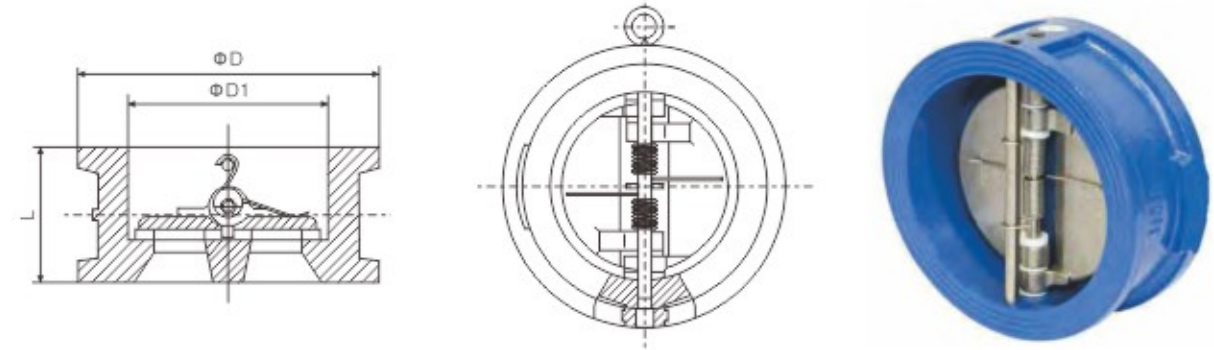


Product connection size

Pressure Level	150LB			300LB			600LB			Dimensions (mm)
	Dimensions(mm)		weight(Kg)	Dimensions(mm)		weight(Kg)	Dimensions(mm)		weight(Kg)	
NPS	L	D		L	D		L	D		L
2	19	103	1.2	19	110	1.3	19	110	1.3	25
2 1/2	19	122	1.7	19	128	1.8	19	128	1.8	38
3	19	135	2	19	147	2.2	19	147	2.2	46
4	19	173	3	19	179	3.5	22	191	4	72
6	19	220	5.5	22	249	6.5	28	264	8	114
8	29	277	12	29	305	14	38	318	18	140
10	29	337	16	38	359	20	57	398	45	188
12	38	407	27	51	420	40	60	455	60	216
14	44	448	42	51	483	53	67	490	75	263
16	51	512	62	51	537	70	73	562	108	305
18	60	547	78	76	594	125	83	610	135	356
20	64	604	110	83	652	160	92	680	190	406

Nominal Pressure	10			16			25			40			Dimensions (mm)
	Dimensions(mm)		weight(Kg)	Dimensions(mm)		weight(Kg)	Dimensions(mm)		weight(Kg)	Dimensions(mm)		weight(Kg)	
Nominal diameter	L	D		L	D		L	D		L	D		L
50	19	108	0.9	19	108	0.9	19	108	0.9	19	108	0.9	25
65	19	128	1.3	19	128	1.3	19	128	1.3	19	128	1.3	38
80	19	142	1.6	19	142	1.6	19	142	1.6	19	142	1.6	46
100	19	162	2.1	19	162	2.1	19	168	2.4	19	168	2.4	72
125	19	192	3.1	19	192	3.1	19	194	3.4	19	194	3.4	95
150	19	218	4.9	19	218	4.9	22	224	5.4	22	224	5.4	114
200	29	273	11	29	273	11	29	284	12	29	291	14	140
250	29	328	15	29	329	15	38	341	21	38	353	24	188
300	38	378	25	38	384	28	51	401	38	51	418	45	216
350	44	438	37	44	444	40	51	458	53	51	475	62	263
400	51	489	55	51	496	60	51	515	68	51	547	78	305
450	60	539	68	60	556	78	76	565	103	76	572	114	356
500	64	594	103	64	618	128	83	622	150	83	626	158	406
600	70	696	155	70	732	180	83	732	205	83	745	215	485
700	76	811	200	76	802	190	-	-	-	-	-	-	565
800	80	918	310	80	912	300	-	-	-	-	-	-	622
900	95	1018	550	95	1012	530	-	-	-	-	-	-	703
1000	127	1124	715	127	1126	720	-	-	-	-	-	-	815

Wafer Check Valve



Material of main parts

Body	Disc	Stem	Seat	Spring
Cast iron	Ductile Iron	Stainless Steel	EPDM / NBR	SS304
Ductile iron	Stainless Steel	Customised	WRAS-EPDM	SS316
Carbon steel	Aluminum Bronze		Viton	
Stainless Steel			Silicon	

Product performance specification

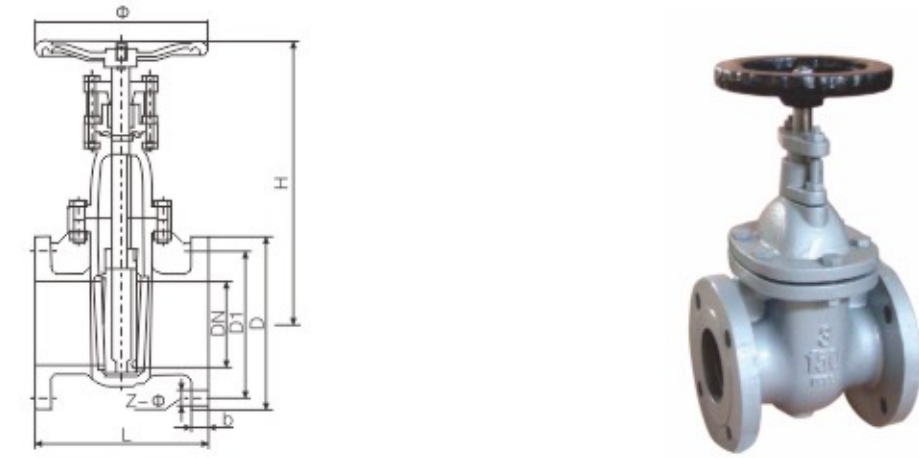
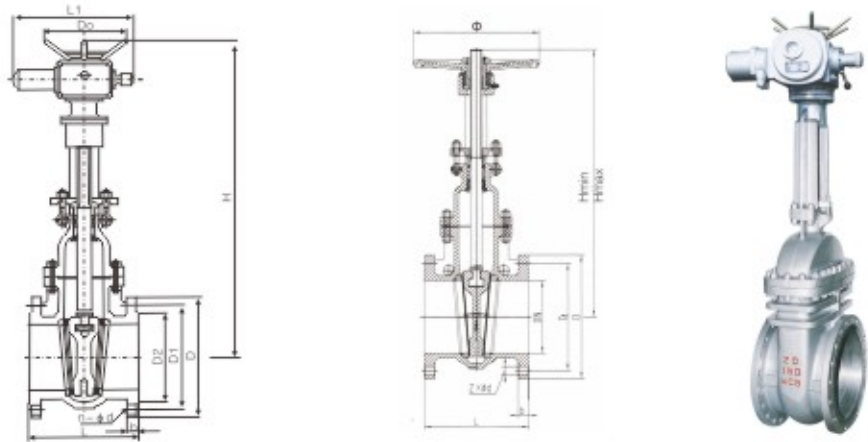
Design Standard	API 594
Testing Standard	API 598
End Flange Standard	PN10/PN16, ANSI 150LB
Face To Face Standard	API 594, EN558-1 16 Series

Product connection size

Nominal Diameter	L			ΦD			ΦD1	
	EN558-1 16 Series	API594 125LB	API594 150LB	PN10	PN16	ANSI 150LB	EN558-1 16Series	API 594
DN50	43	54	60	108	108	103	65.5	65
DN65	46	60	67	128	128	122	78.5	78
DN80	64	67	73	143	143	135	94.5	94
DN100	64	67	73	163	163	173	116.7	117
DN125	70	83	83	193	193	195	145.5	145
DN150	76	95	98	219	219	221	170.5	171
DN200	89	127	127	271	271	278	224	224
DN250	114	140	146	329	329	338	265.5	276
DN300	114	181	181	377	385	408	310.5	328
DN350	127	184	184	439	445	449	360	375
DN400	140	191	191	490	496	513	410	416
DN450	152	203	203	540	557	548	450	467
DN500	152	213	219	595	616	605	505	514
DN600	178	222	222	697	736	716	624	616
DN700	229	305	305	812	806	830	720	720
DN800	241	305	305	919	913	938	825	825
DN900	241	368	368	1019	1013	1046	925	925

125LB Rising Gate Valve

125LB Non-Rising Gate Valve



Material of main parts

Body	Body seal ring	Disc	Disc seal ring	Stem
ASTM A126 CL.B	Brass/ Bronze/SS	ASTM A126 CL.B	Brass/ Bronze/SS	Brass/SS

Product performance specification

Design and manufacture	MSS SP-70
Face To Face	ANSI B16.10
Flange End	ANSI B16.10
Test	MSS SP-70
Size	2"-12"
Normal Pressure(PSI)	125
Suitable Temperature	≤200°C
Shell Test	1.41MPa
Seal Test	2.46MPa
Suitable Medium	Water, gas, oil

Material of main parts

Body	Body seal ring	Disc seal ring	Disc	Stem
ASTM A126 B	Brass/ Bronze/SS	Brass/ Bronze/SS	ASTM A126 B	Brass/SS

Product performance specification

Design and manufacture	MSS SP-70
Face To Face	ANSI B16.10
Flange End	ANSI B16.10
Test	MSS SP-70
Size	2"-12"
Normal Pressure(PSI)	125
Seal Test	1.41MPa
Shell Test	2.4MPa
Suitable Temperature	≤100°C
Suitable Medium	Water, steam

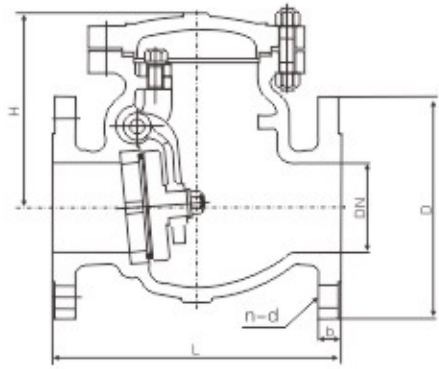
Product connection size

Size	DN	L	D	D1	b	Z × Φ	H	Hmin	Hmax	Φ
2"	50	178	152	120.5	15.9	4 × Φ19	678	310	368	203
2 1/2"	65	190	178	139.5	17.5	4 × Φ19	693	339.5	413	203
3"	80	203	191	152.5	19.1	4 × Φ19	755	377.7	464.7	203
4"	100	229	229	190.5	23.9	8 × Φ19	820	434	554	254
5"	125	254	254	210	23.9	8 × Φ22	885	481	617	254
6"	150	267	279	241.5	25.4	8 × Φ22	994	545	705	305
8"	200	292	343	298.5	28.6	8 × Φ22	1138	715.6	930	355
10"	250	330	406	362	30.2	12 × Φ25	1409	827	1091	508
12"	300	356	483	432	31.8	12 × Φ25	1588	1003	1317	508

Product connection size

Size	DN	L	D	D1	b	Z × Φ	Hmin	Hmax	Φ
2"	50	178	152	120.5	15.9	4 × Φ19	310	368	203
2 1/2"	65	190	178	139.5	17.5	4 × Φ19	339.5	413	203
3"	80	203	191	152.5	19.1	4 × Φ19	377.7	464.7	203
4"	100	229	229	190.5	23.9	8 × Φ19	434	554	254
5"	125	254	254	210	23.9	8 × Φ22	481	617	254
6"	150	267	279	241.5	25.4	8 × Φ22	545	705	305
8"	200	292	343	298.5	28.6	8 × Φ22	715.6	930	355
10"	250	330	406	362	30.2	12 × Φ25	827	1091	508
12"	300	356	483	432	31.8	12 × Φ25	1003	1317	508

125LB Swing Check Valve



Material of main parts

Body	Body seal ring	Disc seal ring	Disc	Shaft
ASTM A126 B	Brass/ Bronze/SS	Brass/ Bronze/SS	ASTM A126 B	SS

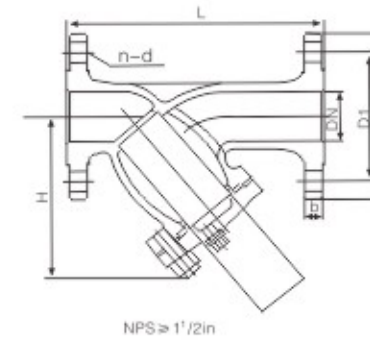
Product performance specification

Face To Face	ANSI B(150LB)
Flange End	ANSI B16.5(150LB)
Test	MSS SP-71
Normal Pressure(PSI)	125
Suitable Medium	Water, oil, steam
Seal Test	1.37MPa
Shell Test	2.4MPa

Product connection size

Size	L	DK	D	b	n-d	H
2"	203.2	121	152	15.9	4-19	113
2 1/2"	215.9	140	178	17.5	4-19	133
3"	241.3	152.5	190	19	4-19	144
4"	292	190.5	228.6	24	8-19	168
5"	330.2	215.9	254	23.4	8-22	198
6"	355.6	241	279.4	25.4	8-22	217
8"	495	298.5	343	30	8-22	261
10"	622	362	406.4	31	12-25	287
12"	698.5	432	483	31.8	12-25	319
14"	787	476	533	35	12-29	443
16"	914	540	597	36.6	16-29	595.5

125LB Y-Strainer



NPS ≥ 1 1/2in



Material of main parts

Body	Screen	Bonnet	Plug
ASTM A126 CL.B	SS 304	ASTM A126 CL.B	ASTM 1035

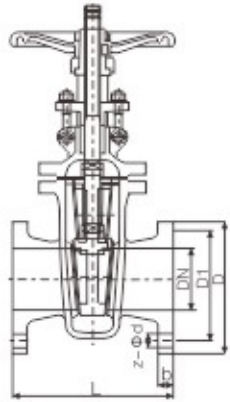
Product performance specification

Flange End	ANSI B16.10
Normal Pressure(PSI)	125
Shell Test	2.4MPa
Suitable Temperature	-10-200°C
Suitable Medium	Water, oil, steam

产品连接尺寸 Product connection size

Size	L	DK	D	b	n-d	H
2"	223	152	121	16	4 × Φ19.1	163
2 1/2"	273	178	139.5	17.5	4 × Φ19.1	194
3"	292	190	152.5	19.1	4 × Φ19.1	216.5
4"	352	228	190.5	24	8 × Φ19.1	270
5"	416	254	215.9	24	8 × Φ22.4	321
6"	470	279	241.5	25.4	8 × Φ22.4	373
8"	543	342	298.5	28.5	8 × Φ22.4	450
10"	660	406	362	30	12 × Φ25.4	527
12"	762	483	432	31.8	12 × Φ25.4	607.5

10K Rising Gate Valve



主要零件材料 Material of main parts

Body	Bonnet	Stem	Seal ring
Cast iron	Cast iron	SS420	Brass/ Stainless steel

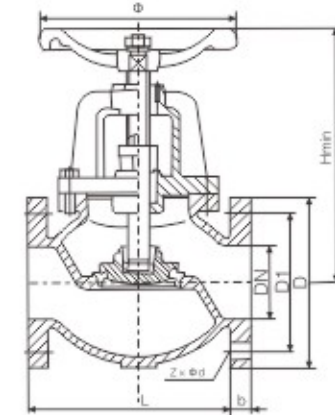
产品性能规范 Product performance specification

Flange End	JIS B 2239/KS B1511
Normal Pressure(PSI)	10K
Seal Test(water)	1.6MPa
Shell Test(water)	2.1MPa
Suitable Temperature	≤ 120°C
Suitable Medium	Water steam

产品连接尺寸 Product connection size

Nominal Diameter	L	D	D1	b	Z-φd
DN50	180 ± 1.5	155	120	20	4-19
DN65	190 ± 1.5	175	140	22	4-19
DN80	200 ± 1.5	185	150	22	8-19
DN100	230 ± 1.5	210	175	24	8-19
DN125	250 ± 1.5	250	210	24	8-23
DN150	270 ± 1.5	280	240	26	8-23
DN200	290 ± 1.5	330	290	26	12-23
DN250	330 ± 1.5	400	355	30	12-25
DN300	350 ± 3	445	400	32	16-25

10K Globe Valve



Material of main parts

Body	Bonnet	Stem	Seal ring
Cast iron	Cast iron	SS420	Brass/ Stainless steel

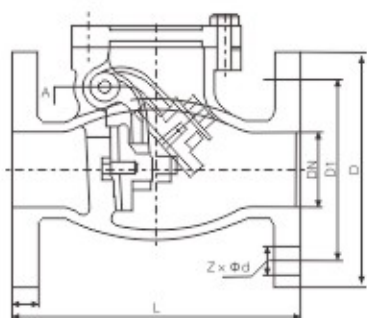
Product performance specification

Flange End	JIS B 2239/KS B1511
Normal Pressure(PSI)	10K
Seal Test(water)	1.6MPa
Shell Test(water)	2.1MPa
Suitable Temperature	≤ 120°C
Suitable Medium	water steam

Product connection size

Nominal Diameter	L	D	D1	b	Z × φd	Hmax	Hmin	φ
DN50	200	155	120	20	4 × φ19	238	221	180
DN65	220	175	140	22	4 × φ19	265	239	190
DN80	240	185	150	22	8 × φ19	300	269	210
DN100	290	210	175	24	8 × φ19	353	312	240
DN125	360	250	210	24	8 × φ23	413.5	353.5	260
DN150	410	280	240	26	8 × φ23	483	393	270
DN200	500	330	290	26	12 × φ23	557.5	463.5	350

10K Swing Check Valve



Material of main parts

Body	Seal ring	Disc	Hinge	Pin
Cast iron	Brass/ Stainless steel	Cast iron	Cast iron	304

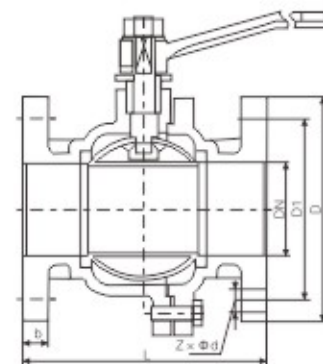
Product performance specification

Flange End	JIS B 2239/KS B1511
Normal Pressure(PSI)	10K
Seal Test(water)	1.6MPa
Shell Test(water)	2.1MPa
Suitable Temperature	-10~85℃
Suitable Medium	Water

Product connection size

Nominal Diameter	L	D	D1	b	Z x Φd
DN40	190 ± 1.5	140	105	17	4-Φ19
DN50	190 ± 1.5	155	120	17	4-Φ19
DN65	190 ± 1.5	175	140	18	4-Φ19
DN80	215 ± 1.5	185	150	19	8-Φ19
DN100	245 ± 1.5	210	175	20	8-Φ19
DN125	285 ± 1.5	250	210	21	8-Φ23
DN150	295 ± 2	280	240	21	8-Φ23
DN200	390 ± 2	330	290	22	12-Φ23
DN250	500 ± 2	400	355	25	12-Φ25
DN300	540 ± 3	445	400	28	16-Φ25
DN350	570 ± 3	490	445	34	16-Φ25
DN400	780 ± 3	560	510	36	16-Φ27
DN500	820 ± 3	675	620	40	20-Φ27

10K Ball Valve



Material of main parts

Body	Seat ring	Ball	Stem	Gasket
Cast Iron	PTFE	SS304	2Cr13	PTFE

Product performance specification

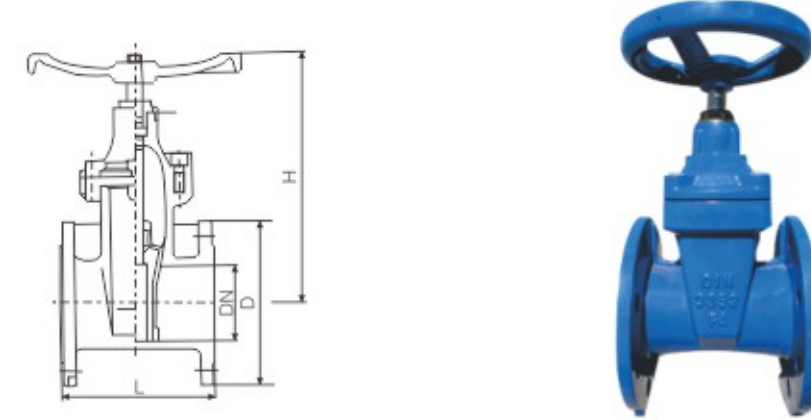
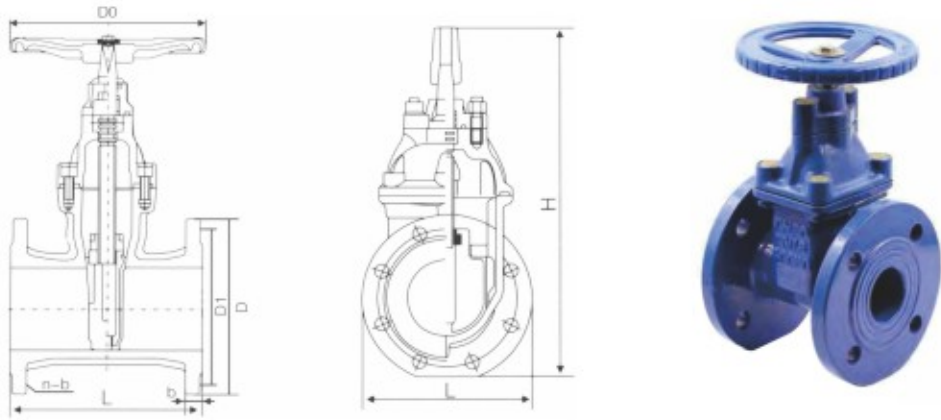
Flange End	JIS B 2239/KS B1511
Normal Pressure(PSI)	10K
Seal Test(water)	1.6MPa
Shell Test(water)	2.1MPa
Suitable Temperature	-10~200
Suitable Medium	Water steam, oil

Product connection size

Nominal Diameter	L	D	D1	b	Z x Φd
DN40	165 ± 1.5	140	105 ± 0.5	19 ₀ ⁺¹	4-Φ19
DN50	180 ± 1.5	155	120 ± 0.5	20 ₀ ⁺¹	4-Φ19
DN65	192 ± 1.5	175	140 ± 0.5	20 ₀ ⁺¹	4-Φ19
DN80	200 ± 1.5	185	150 ± 0.5	21 ₀ ⁺¹	8-Φ19
DN100	230 ± 1.5	210	175 ± 0.5	22 ₀ ⁺¹	8-Φ19
DN125	265 ± 1.5	250	210 ± 0.5	22 ₀ ⁺¹	8-Φ23
DN150	277 ± 1.5	280	240 ± 0.5	23 ₀ ⁺¹	8-Φ23
DN200	340 ± 1.5	330	290 ± 0.5	26 ₀ ⁺¹	12-Φ23

PN10/PN16/BS5163 Gate Valve

F4 Gate Valve



Material of main parts

Body	Disc	Stem	Actuator
Cast iron	DI+EPDM	Stainless Steel	Handwheel
Ductile iron	DI+NBR	Customised	Electric
Stainless Steel	DI+Viton		Pneumatic

Product performance specification

Design Standard	DIN 3352/BS 5163
Testing Standard	ISO 5208
End Flange Standard	PN10/PN16, ANSI 150LB
Face To Face Standard	DIN F4 F5/AWWA C 509/BS 5163/ASME B16.10/ISO 5752

Material of main parts

Valve body	Bonnet	gate	Stem	Hand wheel
GG25	GG25	grey cast iron	Stainless steel, brass	GG25

Product performance specification

Structure length	DIN3202-F4	
Flange	DIN2532	
Pressure	PN10	PN16
Strength (water)	1.5	2.4
Sealed (water)	1.1	1.8

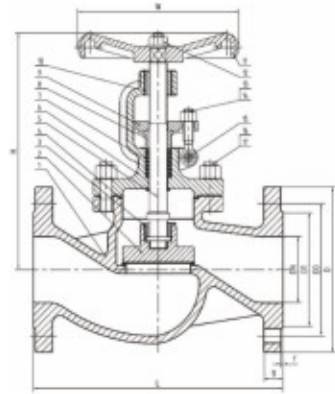
Product connection size

Nominal Diameter	L			H	D0	b			PN16			PN10			ANSI 150LB		
	DIN F4	DIN F5	BS5163 / AWWA C509			DIN F4/F5	BS5163	AWWAC509	D	D1	n-Φd	D	D1	n-Φd	D	D1	n-Φd
DN40	140	240	165	280	160	17	19	14.2	150	110	4-19	150	110	4-19	127	98.6	4-16
DN50	150	250	178	300	160	18	19	15.8	165	125	4-19	165	125	4-19	152	120.6	4-19
DN65	170	270	190	345	160	18	19	17.5	185	145	4-19	185	145	4-19	178	139.7	4-19
DN80	180	280	203	390	200	18	19	19	200	160	8-19	200	160	8-19	191	152.4	4-19
DN100	190	300	229	430	200	19	19	23.9	220	180	8-19	220	180	8-19	229	190.5	8-19
DN125	200	325	254	510	260	19	19	23.9	250	210	8-19	250	210	8-19	254	215.9	8-22.4
DN150	210	350	267	565	260	19	19	25.4	285	240	8-23	285	240	8-23	279	241.3	8-22.4
DN200	230	400	292	680	320	22	20	28.5	340	295	12-23	340	295	8-23	343	298.4	8-22.4
DN250	250	450	330	820	400	22	22	30.2	405	355	12-28	395	350	12-23	406	361.9	12-25.4
DN300	270	500	356	930	400	26	25.4	31.8	460	410	12-28	445	400	12-23	483	431.8	12-25.4
DN350	290	550	381	###	460	28	26.5	35	520	470	16-28	505	460	16-23	533	476.2	12-28.4
DN400	310	600	406	###	460	30	28	36.6	580	525	16-31	565	515	16-23	597	539.7	16-28.4
DN450	330	650	432	###	560	30	30	39.6	640	585	20-31	615	565	20-28	635	577.8	16-31.8
DN500	350	700	457	###	650	32	31.5	42.9	715	650	20-34	670	620	20-28	699	635	20-31.8
DN600	390	800	508	###	650	36	36	47.8	840	770	20-37	780	725	20-31	813	749.3	20-35.1

Product connection size

DN	L		H		D		D1	
	F4	F5	10	16	10	16	10	16
40	140	240	244	284	150	150	110	110
50	150	250	290	300	165	165	125	125
65	170	270	318	326	185	185	145	145
80	180	280	360	372	200	200	160	160
100	190	300	407	417	220	220	180	180
125	200	325	467	472	250	250	210	210
150	210	350	513	536	285	285	240	240
200	230	400	604	627	340	340	295	295
250	250	450	744	728	395	405	350	355
300	270	500	857	823	445	460	400	410
350	290	550	976	1022	505	520	460	470
400	310	600	1060	1100	565	580	515	525
450	330	650	1178	1210	615	640	565	585
500	350	700	1321	1380	670	715	620	650
600	390	800	1428	1455	780	840	725	770
700	430	900	1950	1965	895	910	840	840

PN10/PN16 Globe Valve



Product introduction

DIN Globe Valves are suitable for the pressure from PN1.6 to 16Mpa. It can work in the medium of -29°C to 425°C combustible, explosive, toxic fluid, heat-conducting oil and liquid ammonia. Application: petrochemical industry, Chemical Fiber Textiles, plastic, paper making, power industry, steel, rubber and gas systems. The performance is very reliable. Rational Structures, Reliable Sealing, Zero Leakage of Stem.

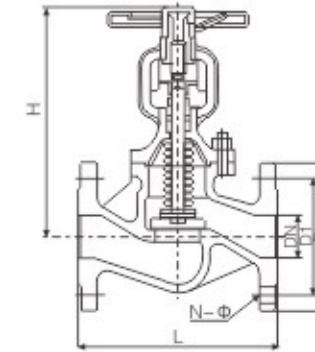
Product performance specification

Design Standard	DIN EN13709-2003
Face to Face Dimension	DIN EN588-1:1995
End Flange Dimension	DIN EN1092-1:2002
Test Standard	DIN EN12266:2003

Product connection size

Nominal Diameter	PN16					Weight (kg)	PN25					Weight (kg)	PN40					Weight (kg)
	L	D	D0	N- Φ	H		L	D	D0	N- Φ	H		L	D	D0	N- Φ	H	
DN15	130	95	65	4X14	190	3.10	130	95	65	4X14	190	3.5	130	95	65	4X14	190	4
DN20	150	105	75	4X14	190	3.87	150	105	75	4X14	190	4.0	150	105	75	4X14	190	4.5
DN25	160	115	85	4X14	195	5.10	160	115	85	4X14	195	5.25	160	115	85	4X14	195	5.5
DN32	180	140	100	4X18	210	8.33	180	140	100	4X18	210	8.65	180	140	100	4X18	210	9
DN40	200	150	110	4X18	220	9.83	200	150	110	4X18	220	10	200	150	110	4X18	220	10.5
DN50	230	165	125	4X18	230	14.13	230	165	125	4X18	230	14.50	230	165	125	4X18	230	15
DN65	290	185	145	8X18	255	20.37	290	185	145	8X18	255	21.50	290	185	145	8X18	255	23
DN80	310	200	160	8X18	270	28.77	310	200	160	8X18	270	29	310	200	160	8X18	270	30
DN100	350	220	180	8X18	360	38.27	350	235	190	8X22	360	39	350	235	190	8X22	360	40.5
DN125	400	250	210	8X18	380	57.87	400	270	220	8X26	380	59	400	270	220	8X26	380	60
DN150	480	285	240	8X22	415	75.37	480	300	250	8X26	415	78	480	300	250	8X26	415	90
DN200	600	340	295	12X22	530	122.27	600	360	310	12X26	530	145	600	375	320	12X30	530	155
DN250	730	405	355	12X26	665	225.00	730	425	370	12X30	665	240	730	450	385	12X33	665	265
DN300	850	460	410	12X26	720	405.00	850	485	430	16X30	720	420	850	515	450	16X33	720	450
DN350	980	520	470	16X26	1020	645.00	980	555	490	16X33	1020	675	980	580	510	16X36	1020	690
DN400	1100	580	525	16X30	1180	805.00	1100	670	550	16X36	1180	820	1100	660	585	16X39	1180	850

Bellow Seal Globe Valve



Product introduction

The bellows stop valve is a relatively new type of shut-off valve with double seal and reliable performance. The sealing surface is welded with hard alloy, the valve stem surface is nitrided, wear-resistant, corrosion-resistant, anti-friction performance and long service life.

This product is widely used in pipelines of various working conditions such as petroleum, chemical, pharmaceutical, fertilizer, power industry, etc., cutting or connecting the pipeline medium.

Product performance specification

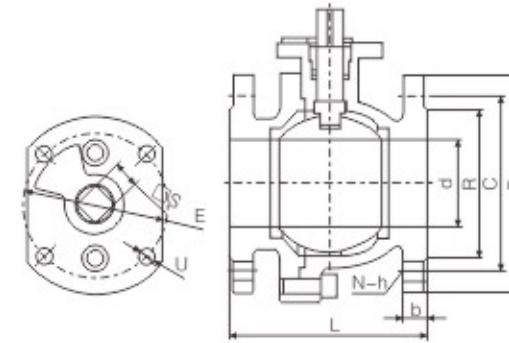
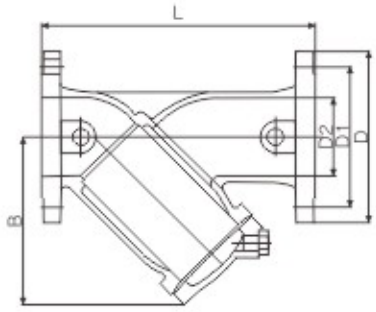
Design Standard	DIN EN13709-2003
Face to Face Dimension	DIN EN588-1:1995
End Flange Dimension	DIN EN1092-1:2002
Test Standard	DIN EN12266:2003

Product connection size

Nominal Diameter	PN16					Weight (kg)	PN25					Weight (kg)	PN40					Weight (kg)
	L	D	D1	N- Φ	H		L	D	D1	N- Φ	H		L	D	D1	N- Φ	H	
DN15	130	95	65	4X14	190	4.5	130	95	65	4X14	190	4.5	130	95	65	4X14	190	5
DN20	150	105	75	4X14	190	5.0	150	105	75	4X14	190	5.0	150	105	75	4X14	190	5.5
DN25	160	115	85	4X14	195	5.8	160	115	85	4X14	195	5.8	160	115	85	4X14	195	6.5
DN32	180	140	100	4X18	210	7.5	180	140	100	4X18	210	7.5	180	140	100	4X18	210	8.5
DN40	200	150	110	4X18	220	10	200	150	110	4X18	220	10	200	150	110	4X18	220	11
DN50	230	165	125	4X18	230	13	230	165	125	4X18	230	13	230	165	125	4X18	230	14.5
DN65	290	185	145	8X18	255	18.5	290	185	145	8X18	255	18.5	290	185	145	8X18	255	20
DN80	310	200	160	8X18	270	23	310	200	160	8X18	270	23	310	200	160	8X18	270	24
DN100	350	220	180	8X18	360	38.5	350	235	190	8X22	360	40	350	235	190	8X22	360	42
DN125	400	250	210	8X18	380	53	400	270	220	8X26	380	55	400	270	220	8X26	380	58
DN150	480	285	240	8X22	415	81	480	300	250	8X26	415	88	480	300	250	8X26	415	95
DN200	600	340	295	12X22	530	144	600	360	310	12X26	530	155	600	375	320	12X30	530	165
DN250	730	405	355	12X26	665	230	730	425	370	12X30	665	250	730	450	385	12X33	665	295
DN300	850	460	410	12X26	720	420	850	485	430	16X30	720	460	850	515	450	16X33	720	510
DN350	980	520	470	16X26	1020	610	980	555	490	16X33	1020	680	980	580	510	16X36	1020	750
DN400	1100	580	525	16X30	1180	790	1100	670	550	16X36	1180	860	1100	660	585	16X39	1180	920

PN10/PN16 Y-Stainer

PN10/PN16 Ball Valve



Material of main parts

Body	Gasket	Filter	Bonnet
GG25	SS304	08+Graphite	GG25

Product performance specification

Face to face	DIN3202-F1
Flange End	DIN2532/2533
Normal Pressure(PSI)	1.6MPa
Testing Standard(water)	2.4MPa
Suitable Temperature	-10 - 200°C
Suitable Medium	oil, gas, water

Material of main parts

Body	Bonnet	Ball	Seat	Stem
GG25	GG25	SS420/SS304	PTFE	SS420/SS304

Product performance specification

Face to face	DN15-DN100: DIN3202 F4 DN125-DN250: DIN3202 F5
Flange End	EN 1092-2 PN16
Normal Pressure(MPa)	1.6
Shell Test(water)	2.5MPa
Seal Test(water)	1.8MPa
Seal Test(air)	0.6MPa
Suitable Temperature	-10 - 150°C

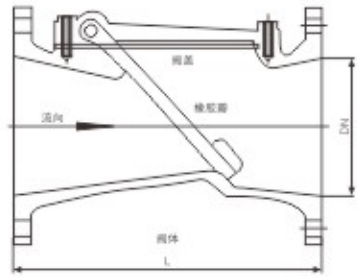
Product connection size

Nominal Diameter	L	D	D1	D2	b-f	Z x Φd	L1	L2
DN50	230	Φ165	Φ125	Φ99	20-3	4 x Φ19	102	140.5
DN65	290	Φ185	Φ145	Φ118	20-3	4 x Φ19	112	161
DN80	310	Φ200	Φ160	Φ132	22-3	8 x Φ19	138	184
DN100	350	Φ220	Φ180	Φ156	24-3	8 x Φ19	165	222
DN125	400	Φ250	Φ210	Φ184	26-3	8 x Φ19	191	257
DN150	480	Φ285	Φ240	Φ211	26-3	8 x Φ23	214	290
DN200	600	Φ340	Φ295	Φ266	30-3	12 x Φ23	275	363
DN250	730	Φ405	Φ355	Φ319	32-3	12 x Φ28	330	434
DN300	850	Φ460	Φ410	Φ370	32-3	12 x Φ28	387	542

Product connection size

Nominal Diameter	d	L	D	C	R	b	N	h	E	U	S
DN15	15	115	95	65	45	14	4	14	42	M5	9
DN20	20	120	105	75	58	16	4	14	42	M5	9
DN25	25	125	115	85	68	16	4	14	42	M5	12
DN32	32	130	140	100	78	18	4	19	50	M6	12
DN40	40	140	150	110	88	18	4	19	50	M6	14
DN50	50	150	165	125	102	20	4	19	70	M8	17
DN65	65	170	185	145	122	20	4	19	102	M10	19
DN80	80	180	200	160	138	22	8	19	102	M10	19
DN100	100	190	220	180	158	24	8	19	102	M10	22
DN125	125	325	250	210	188	26	8	19	125	M12	27
DN150	150	350	285	240	212	26	8	23	140	M16	27
DN200	200	400	340	295	268	30	12	23	165	M20	30
DN250	250	450	405	355	320	32	12	27	165	M20	33

Rubber Wedge Swing Check Valve



Material of main parts

Bonnet Gasket	Bonnet	Washer	Disc	Body
EPDM	Ductile Iron	35# Steel	EPDM+45# Steel+NY	Ductile Iron

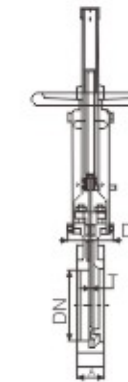
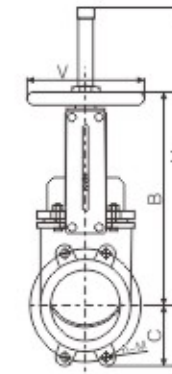
Product performance specification

Flange End	BS EN1092-2:1997
Test	BS 5153:1974
Normal Pressure(MPa)	1.6
Seal Test(water)	1.76MPa
Shell Test(water)	2.4MPa
Suitable Temperature	-10~80°C
Suitable Medium	Water

Product connection size

Nominal Diameter	L	D	D1	D2	b	f	Z x Φ d
DN50	203±2	Φ160	Φ125	Φ100	19	3	4 x Φ19
DN65	216±2	Φ180	Φ145	Φ120	19	3	4 x Φ19
DN80	240±2	Φ195	Φ160	Φ135	19	3	8 x Φ19
DN100	292±2	Φ215	Φ180	Φ155	21	3	8 x Φ19
DN125	330±2	Φ245	Φ210	Φ185	22	3	8 x Φ19
DN150	356±2	Φ280	Φ240	Φ210	22	3	8 x Φ23
DN200	493±2	Φ335	Φ295	Φ262	23	3	8 x Φ23

Knife gate valve



Material of main parts

Body&Bonnet	Wedge	Stem	Actuator
Cast iron	SS304	Stainless Steel	Handwheel
Ductile iron	Stainless Steel	Customised	Electric
			Pneumatic

Product performance specification

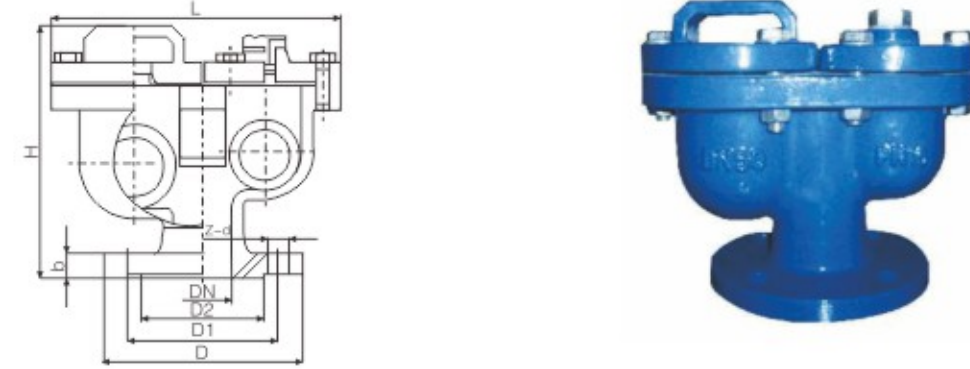
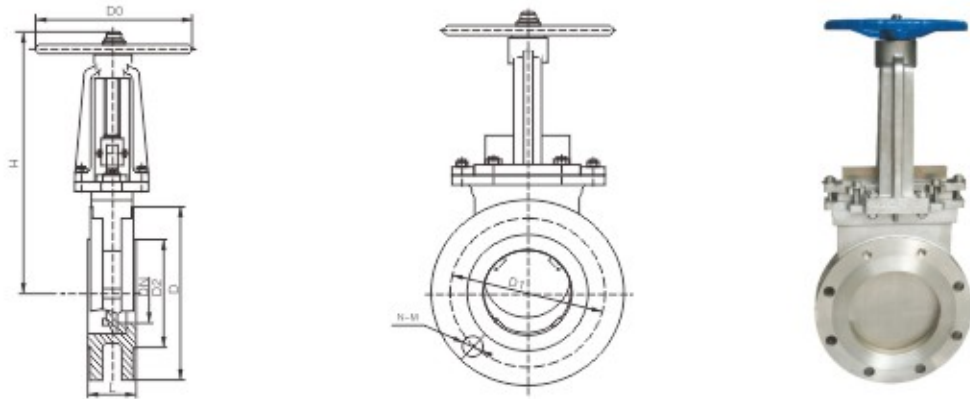
Design Standard	EN 593
Testing Standard	API 598
End Flange Standard	PN/PN16
Face To Face Standard	DIN 3202 K1

Product connection size

Nominal Diameter	A	B	C	D	n-M	H	V	T
DN50	40	289	65	87	4-16	360	200	5
DN65	40	313	70	87	4-16	400	200	5
DN80	50	335	95	87	8-16	420	200	5
DN100	50	380	108	87	8-16	488	200	5
DN125	50	415	124	98	8-16	564	250	6
DN150	60	470	135	98	8-20	635	250	6
DN200	60	580	165	123	8-20	809	300	8
DN250	70	670	198	123	12-20	946	300	8
DN300	80	768	234	123	12-20	1118	300	10
DN350	96	900	256	198	16-20	1282	400	10
DN400	100	997	292	198	16-24	1441	400	12
DN450	106	1100	308	198	20-24	1587	400	12

Flange knife gate valve

Vent valve



Material of main parts

Nominal pressure (MPa)	Shell test (MPa)	Seal test (MPa)	Operating temperature	Applicable medium
1.0	1.5	1.1	≤100°C	Pulp, sewage, coal slurry, ash, slag water mixture
1.6	2.4	1.8	≤425°C	

Product performance specification

Body, cover	Stainless steel, carbon steel, gray cast iron
Gate valve	Carbon steel, stainless steel
Valve stem	Stainless steel
Sealing surface	Rubber, PTFE, stainless steel, hard alloy

Material of main parts

Body	Ball	Bonnet
Ductile Iron	ABS	Ductile Iron

Product performance specification

Flange End	BS4504
Seal Test	1.1/1.76MPa
Suitable Temperature	0-80°C
Suitable Medium	Water

Product connection size

LB	Nominal Diameter	L	D	D1	D2	H	N-M	D0
150LB	50	43	160	125	100	285	4-M16	180
	65	46	180	145	120	298	4-M16	180
	80	46	195	160	135	315	4-M16	220
	100	52	215	180	155	365	8-M16	220
	125	56	245	210	185	400	8-M16	230
	150	56	280	240	210	475	8-M20	280
	200	60	335	295	265	540	8-M20	360
	250	68	390	350	320	630	12-M20	360
	300	78	440	400	368	780	12-M20	400
	350	78	500	460	428	885	16-M20	400
	400	102	565	515	482	990	16-M22	400
	450	114	615	565	532	1100	20-M22	530
	500	127	670	620	585	1200	20-M22	530
	600	154	780	725	685	1450	20-M27	600
	700	165	895	840	800	1700	24-M27	600
800	190	1010	950	898	2000	24-M30	680	
900	203	1110	1050	1005	2300	28-M30	680	
1000	216	1220	1160	1115	2500	28-M30	700	
1200	254	1450	1380	1325	2800	32-M36	800	

Product connection size

Nominal Diameter	D	D1	D2	L	b	H	Z-d
DN50	165	125	99	240	19	211	4-Φ19
DN65	185	145	118	256	19	211	4-Φ19
DN80	200	160	132	305	19	261	8-Φ19
DN100	220	180	156	328	19	269	8-Φ19
DN150	285	240	211	392	19	320	8-Φ23

API Floating ball valve

Performance standard

Design specification	Face to face dimension	Connecting flange	Test and inspection	Product identification	Supply specification
API608 API6D	ANSI B16.10 API6D	ANSI B16.5	API598 API6D	MSS SP-25 API6D	API608 API6D

Product performance specification

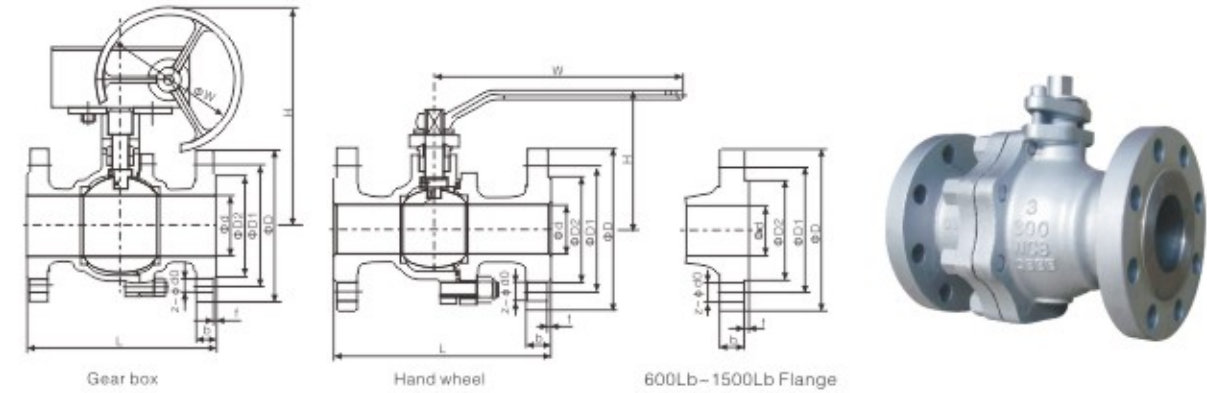
Nominal pressure (PN)	150Lb	300Lb	400Lb	600Lb
Shell pressure	3.1	7.5	10.2	15.0
Sealing test (liquid)	2.2	5.5	7.48	11.0
Seal test (gas)	0.5-0.7			
Applicable medium	C Water, oil, steam	P Nitric acid	R Acetic acid	
Applicable temperature	≤200°C			

Product parts and materials

No.	Parts name	Materials				
		WCB/A105+HCr(ENP)	WCB/304	WCB/316	CF8	CF8M
1	Body	ASTM A216 WCB	ASTM A216 WCB	ASTM A216 WCB	ASTM A351 WCB	ASTM A351 CF8M
2	Packing	PTFE	PTFE	PTFE	PTFE	PTFE
3	Stem bearing	PTFE	PTFE	PTFE	PTFE	PTFE
4	Gland	ASTM A182 F6a	ASTM A182 F304	ASTM A182 F316	ASTM A182 F304	ASTM A182 F304
5	Gland flange	ASTM A216 WCB	ASTM A216 WCB	ASTM A216 WCB	ASTM A216 CF8	ASTM A351 CF8M
6	Gland bolt	ASTM A193 B7	ASTM A193 B7	ASTM A193 B7	ASTM A193 B8	ASTM A193 B8M
7	Stop collar	Carbon steel	Carbon steel	Carbon steel	Stainless steel	Stainless steel
8	Circlip	Carbon steel	Carbon steel	Carbon steel	Stainless steel	Stainless steel
9	Lever	Carbon steel	Carbon steel	Carbon steel	Carbon steel	Carbon steel
10	Nut	Carbon steel	Carbon steel	Carbon steel	Carbon steel	Carbon steel
11	Thrust washer	PTFE	PTFE	PTFE	PTFE	PTFE
12	Stem	ASTM A182 F6a	ASTM A182 F304	ASTM A182 F316	ASTM A182 F304	ASTM A182 F316
13	Ball	A105+HCr(ENP)	ASTM A182 F304	ASTM A182 F316	ASTM A182 F304	ASTM A182 F316
14	Seat	Reinforced PTFE	Reinforced PTFE	Reinforced PTFE	Reinforced PTFE	Reinforced PTFE
15	Gasket	PTFE	PTFE	PTFE	PTFE	PTFE
16	Stud	ASTM A194 2H	ASTM A194 2H	ASTM A194 2H	ASTM A194 8	ASTM A194 8M
17	Nut	ASTM A193 B7	ASTM A193 B7	ASTM A193 B7	ASTM A193 B8	ASTM A193 B8M
18	Bonnet	ASTM A216 WCB	ASTM A216 WCB	ASTM A216 WCB	ASTM A351 CF8	ASTM A351 CF8M

Note: the above table only lists the most common components of cast steel ball valve, according to user requirements or the actual use of the valve, the company can provide a variety of different parts of the material configuration.

API Floating ball valve



Product connection size

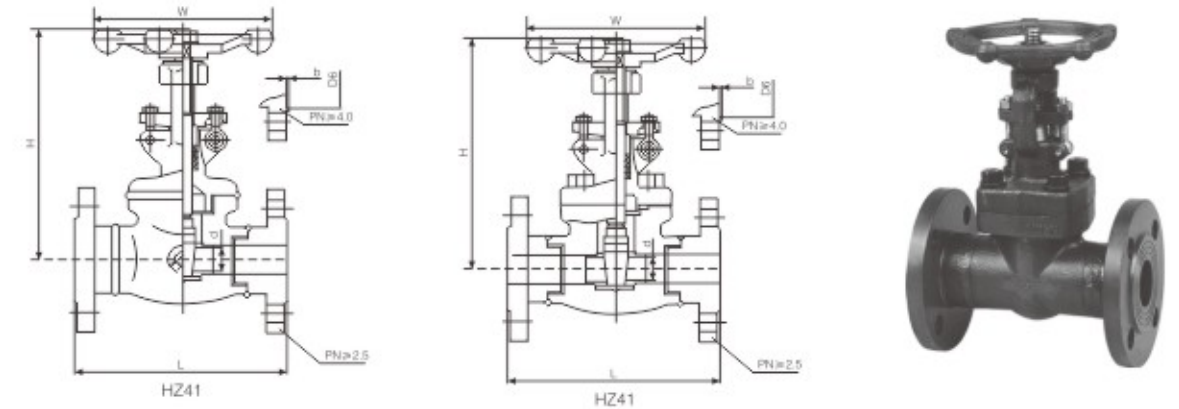
Size	Dimensions(mm)										Weight(kg)					
	DN	NPS	L		d	D	D1	D2	b	f	Z-φ do	W		H		
RF			RTJ	Hand wheel								Gear box	Hand wheel	Gear box		
150Lb																
15	1/2"	108	119	13	89	60.5	35	11.5	1.6	4-15	140	-	85	-	3	-
20	3/4"	117	130	19	98	70	43	11.5	1.6	4-15	140	-	90	-	4	-
25	1"	127	140	25	108	79.5	51	11.5	1.6	4-15	150	-	99	-	5	-
32	1 1/4"	140	153	32	117	89	64	13	1.6	4-15	180	-	105	-	7	-
40	1 1/2"	165	178	38	127	98.5	73	14.5	1.6	4-15	200	-	126	-	8	-
50	2"	178	191	51	152	120.5	92	16	1.6	4-19	250	-	140	-	12	-
65	2 1/2"	190	203	64	178	139.5	105	17.5	1.6	4-19	300	-	165	-	18	-
80	3"	203	216	76	190	152.5	127	19.5	1.6	4-19	350	-	178	-	24	-
100	4"	229	242	102	229	190.5	157	24	1.6	8-19	500	305	230	380	38	53
125	5"	356	369	127	254	216	186	24	1.6	8-22	800	305	280	405	60	79
150	6"	394	407	152	279	241.5	216	25.5	1.6	8-22	800	305	310	460	82	102
200	8"	457	470	203	343	298.5	270	29	1.6	8-22	1000	305	350	550	145	185
250	10"	533	546	254	406	362	324	31	1.6	12-25	-	400	-	706	-	280

API Floating ball valve

Product connection size

DN	NPS	Size(mm)									Weight(kg)					
		L		d	D	D1	D2	b	f	Z-Φdo	W		H			
		RF	RTJ								Hand wheel	Gear bos	Hand wheel	Gear bos		
300Lb																
15	1/2"	140	151	13	95	66.5	35	14.5	1.6	4-15	140	140	85	85	3	-
20	3/4"	152	165	19	117	82.5	43	16	1.6	4-19	140	140	90	90	5	-
25	1"	165	178	25	124	89	51	17.5	1.6	4-19	150	150	99	99	6	-
32	1 1/4"	178	191	32	133	98.5	64	19.5	1.6	4-19	180	180	105	105	8	-
40	1 1/2"	190	203	38	156	114.5	73	21	1.6	4-22	200	200	126	126	11	-
50	2"	216	232	51	165	127	92	22.5	1.6	8-19	250	250	142	142	16	-
65	2 1/2"	241	257	64	190	149	105	25.5	1.6	8-22	300	300	165	165	24	-
80	3"	283	299	76	210	168.5	127	29	1.6	8-22	350	350	178	178	34	52
100	4"	305	321	102	254	200	157	32	1.6	8-22	500	500	230	230	56	76
125	5"	381	397	127	279	235	186	35	1.6	8-22	800	800	280	280	86	124
150	6"	403	419	152	318	270	216	37	1.6	12-22	800	800	310	310	125	163
200	8"	502	518	203	381	330	270	41.5	1.6	12-25	1000	1000	350	350	222	267
600Lb																
15	1/2"	165	164	13	95	66.5	35	14.5	6.4	4-15	140	-	79	-	5	-
20	3/4"	190	190	19	118	82.5	43	16	6.4	4-19	140	-	83	-	7	-
25	1"	216	216	25	124	89	51	17.5	6.4	4-19	200	-	114	-	9	-
32	1 1/4"	229	229	32	133	98.5	64	21	6.4	4-19	200	-	120	-	13	-
40	1 1/2"	241	241	38	156	114.5	73	22.5	6.4	4-22	250	-	125	-	17	-
50	2"	292	295	51	165	127	92	25.5	6.4	8-19	300	-	156	-	25	-
65	2 1/2"	330	333	64	190	149	105	29	6.4	8-22	350	-	172	-	42	-
80	3"	356	359	76	210	168	127	32	6.4	8-22	500	305	220	370	56	76
100	4"	432	435	102	273	216	157	38.5	6.4	8-25	650	305	250	400	85	123
900Lb																
15	1/2"	216	216	13	121	82.5	35	22.5	6.4	4-23	150	-	98	-	9	-
20	3/4"	229	229	19	130	88.9	43	25.5	6.4	4-23	150	-	105	-	13	-
25	1"	254	254	25	149	101.6	51	29	6.4	4-26	200	-	110	-	16	-
32	1 1/4"	279	279	32	159	111.1	64	29	6.4	4-26	250	-	120	-	24	-
40	1 1/2"	305	305	38	178	123.8	73	32	6.4	4-29	250	-	125	-	31	-
50	2"	368	371	49	216	165.1	92	38.5	6.4	8-26	350	-	160	-	45	-
1500Lb																
15	1/2"	216	216	13	121	82.5	35	22.5	6.4	4-23	182	-	98	-	10	-
20	3/4"	229	229	19	130	88.9	43	25.5	6.4	4-23	200	-	105	-	14	-
25	1"	254	254	25	149	101.6	51	29	6.4	4-26	250	-	110	-	17	-
32	1 1/4"	279	279	32	159	111.1	64	29	6.4	4-26	300	-	120	-	25	-
40	1 1/2"	305	305	38	178	123.8	73	32	6.4	4-29	350	-	130	-	33	-
50	2"	368	371	49	216	165.1	92	38.5	6.4	8-26	500	-	160	-	48	-

Forged Steel Flanged Gate Valve



Performance standard

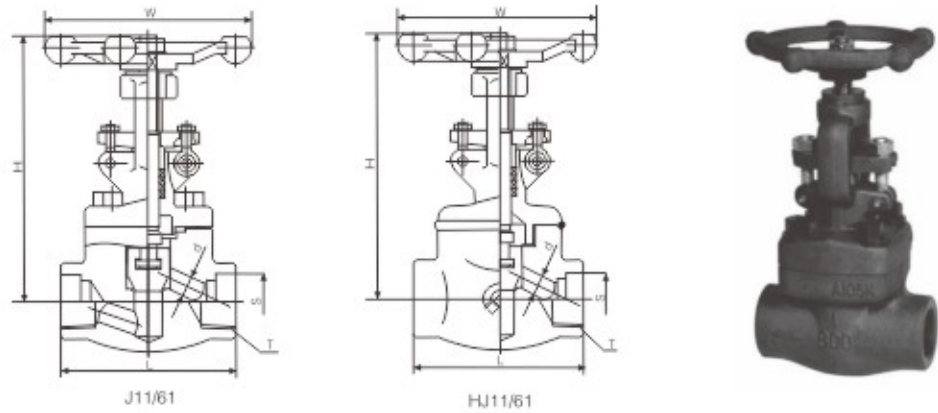
Design and manufacturing	JB/T7746
Connection end size	JB/T97; GB/T12221
Flange end size	JB/T82.1-82.4
Structure characteristics	B.B or W.B; OS&Y-reducing diameter (R.P)
Main material	A105; LF2; F5; F11; F22; F304; F304L; F316; F316L
Inspection and test	GB/T13927; JB/T9092

Product connection size

Nominal pressure PN(MPa)	Nominal diameter DN(mm)	15	20	25	32	40	50	65	
1.6	d	10	12.7	19.1	24	31.8	38.1	50.8	
2.5		L	130	150	160	180	200	250	
4.0			170	190	210	230	240	280	
6.4			H(open)	162	162	211	238	257	282
10.0	W			100	100	125	125	160	180
1.6		WT(kg)		2.8	3.2	4.9	5.6	9.8	12.8
2.5				3.0	3.5	5.5	6.8	10.4	14.4
4.0			3.6	4.9	7.0	9.4	13.3	18.2	
6.4	3.8		5.3	7.9	10.0	13.8	18.6		
10.0	4.2	5.8	8.8	12.1	15.6	19.5	32.0		

Description: nominal pressure PN>6.4MPa, ring seal (RJ) according to JB77-59.

Forged Steel Internal Thread, Socket Welding Globe Valve



Performance standard

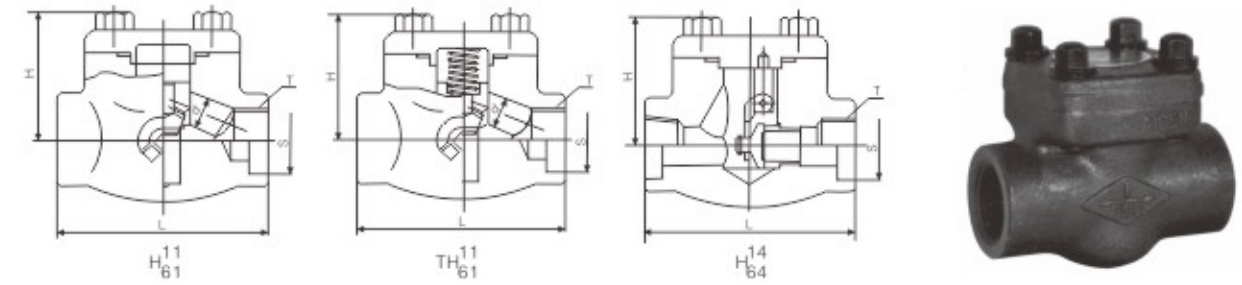
Design and manufacturing	Connector size		Structure	Body material	Inspection and test
	Socket weld end	Threaded end			
ASME/ANSI B16.34 API602 JB/T7746	ASME/ANSI B16.11 JB/T1751	ASME/ANSI B1.20.1(NPT) GB/T7306-87(RC)	B.B or W.B; OS&Y	A105;LF2;F5; F22;F304;F316; F304L;F316L	API598 JB/T9092 GB/T13927

Product connection size

DN(mm)	R.P	8	10	15	20	25	32	40	50	-
NPS(in)	R.P	1/4"	3/8"	1/2"	3/4"	1"	1 1/4"	1 1/2"	2"	-
DN(mm)	F.P	-	8	10	15	20	25	32	40	50
NPS(in)	F.P	-	1/4	3/8	1/2	3/4	1	1	1 1/2	2
b	R.P	7	10	10	13	18	24	29	36.5	-
	F.P	-	7	10	13	18	24	29	36.5	46.5
L	R.P	79	79	79	92	111	120	152	172	-
	F.P	-	79	79	92	111	120	152	172	200
H(Open)	R.P	153	153	158	163	193	250	250	291	-
	F.P	-	153	158	163	193	250	250	291	350
W	R.P	100	100	100	100	125	160	160	180	-
	F.P	-	100	100	100	125	160	160	180	240
WT(kg)	R.P	1.9	1.8	1.7	2.1	3.3	7.5	7.5	11.4	-
	F.P	-	2.1	1.9	2.3	3.6	7.5	8.2	12.0	15.0

Description: 1. Body cover welding according to the structure (WB) stop valve, in front of the valve type code "J" crown "H", for example: HJ61H-800; medium flange bolt structure (BB) code "slightly", for example: J61H-800.
2. Before the specification code, the crown "F" indicates the full diameter, such as F25, and the diameter reduction code is "slightly".

Forged Steel Internal Thread, Socket Welding Check Valve



Performance standard

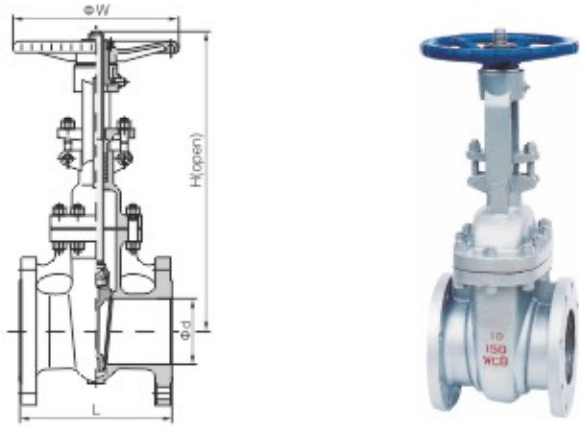
Design and manufacturing	Connector size		Structure	Body material	Inspection and test
	Socket weld end	Threaded end			
ASME/ANSI B16.34 API602 JB/T7746	ASME/ANSI B16.11 JB/T1751	ASME/ANSI B1.20.1 GB/T7306	B.C or W.C Swing or lift	A105;LF2;F5;F11; F22;F304;F316; F304L;F316L	API598 GB/T13927

Product connection size

PN1.6~10.0MPa, 900~1500Lb							
NPS(in)	1/2"	3/4"	1"	1 1/4"	1 1/2"	2"	
DN(in)	15	20	25	32	40	50	
d(Full bore F.P)	13	18	24	29	36.5	46.5	
L	Lifting	111	111	130	152	172	220
	Swing	111	111	120	140	140	162
H	Lifting	79	97	104	120	139	158
	Swing	79	97	115	133	149	166
WT(kg)	Lifting	3.4	4.8	6.9	10.7	8.8	12.3
	Swing	3.6	4.3	10.7	14.6	12.6	15.5

Description: The spring-loaded lift check valve has a horizontal or vertical mounting function. The front of the product model is indicated by the "T". For example: TH11H-160.

API603 Cast Stainless Steel Wedge Gate Valve



Standards

Design and Manufacture: API 603
 Inspection and Test: API 598
 End flange dimension: ASME B16.5
 Face to face: ASME B16.10
 Pressure-temperature ratings: ASME B16.34

Class	NPS	Dimensions(mm)				Weight (kg)	Class	NPS	Dimensions(mm)				Weight (kg)
		L	d	H	W				L	d	H	W	
150	1/2"	108	14	195	120	3	300	1/2"	140	14	198	120	5
	3/4"	117	19	210	120	4		3/4"	152	19	215	140	6
	1"	127	25	240	140	6		1"	165	25	245	160	9
	1 1/4"	140	32	300	180	8		1 1/4"	178	32	306	180	12
	1 1/2"	165	38	395	200	12		1 1/2"	190	38	400	200	18
	2"	178	51	365	160	16		2"	216	51	400	200	22
	2 1/2"	191	64	420	160	22		2 1/2"	241	64	435	200	26
	3"	203	76	485	200	28		3"	283	76	515	250	41
	4"	229	102	580	250	42		4"	305	102	600	280	62
	5"	254	127	710	250	53		5"	381	127	715	300	84
	6"	267	152	741	280	65		6"	403	152	780	350	110
	8"	292	203	960	300	105		8"	419	203	980	400	177
	10"	330	254	1055	350	160		10"	457	254	1200	400	284
	12"	356	305	1352	400	245		12"	502	305	1400	400	382
	14"	381	337	1520	400	328		14"	762	337	1560	500	598
	16"	406	387	1734	500	425		16"	838	387	1760	500	785
18"	432	438	1920	500	510	18"	914	438	1940	600	962		
20"	457	489	2110	600	650	20"	991	489	2140	600	1144		
24"	508	591	2520	700	855	24"	1143	591	2550	700	1805		

ANSI Cast Steel Globe Valve

Stem Design

The stem is of integral forged design. The minimum diameter of the stem shall comply with the standard requirement.

Stem Nut

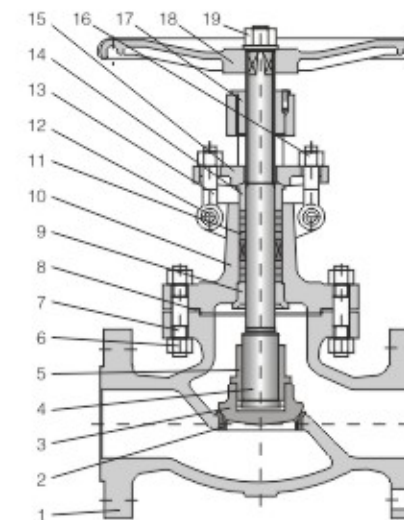
Usually, the stem nut can be designed as ASTM A439 D2 or copper alloy acc. to customer request. For large size globe valves, rolling bearing is fitted at the two sides of the stem nut in order to minimize the open and close torque of the globe valve.

Special Globe Valve

Besides the common globe valves, we also make cryogenic globe valve, bellow sealed globe valve, jacketed globe valve, etc.

Standards

Design and Manufacture: BS1873 or ASME B16.34
 Inspection and Test: API 598
 End flange dimension: ASME B16.5
 BW end dimension: ASME B16.25
 Socket-weld dimension: ASME B16.11
 Face to face: ASME B16.10
 Pressure-temperature ratings: ASME B16.34



Parts No.	Parts Name
1	Body
2	Seat Ring
3	Disc
4	Stem
5	Disc Nut
6	Nut
7	Bolt
8	Gasket
9	Backseat Bushing
10	Bonnet
11	Packing
12	Eyebolt Pin
13	Gland Eyebolt
14	Gland
15	Gland Flange
16	Nut
17	Stem Nut
18	Hand Wheel
19	Hand Wheel Nut

ANSI Cast Steel Check Valve

The Features of Check Valve

Bolted bonnet; swing and lift disc; metallic seating surfaces or resilient seat.

Body and Cover Connection

The body and cover of Class 150 ~ Class 900 check valves are usually with studs and nuts. And the body and cover of Class 1500 ~ Class 2500 check valves are usually of pressurized sealing design.

Gasket of Cover

Spiral wounded SS + flexible graphite is used as the gasket for Class 150, Class 300 and Class 600 check valves; and ring joint gasket is also optional for Class 600 and Class 900 check valves; Pressurized seal design is used for Class 1500 ~ Class 2500 check valves.

Seat

For carbon steel check valve, the seat is usually forged steel. The sealing surface of the seat is spray welded with hard alloy specified by the customer. Renewable threaded seat is used for NPS ≤ 10 check valves, and welded seat can be also optional if being requested by the customer. It is normally designed for NPS ≥ 12 carbon steel check valves. For Stainless steel check valve, integral seat is usually adopted, or to weld hard alloy directly integrally. Threaded or welded on seat is also optional for stainless steel check valve if being requested by the customer.

Standards

Design and Manufacture: BS1868 or API 6D

Inspection and Test: API 598 or API 6D

End flange dimension: ASME B16.5、ASME B16.47 A、MSS SP-44;

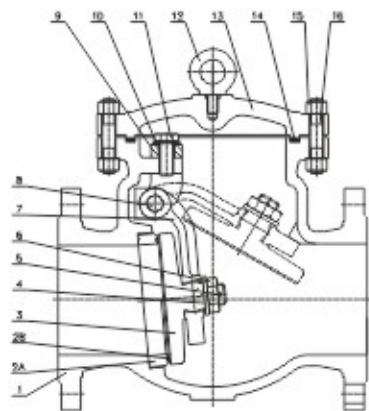
ASME B16.47 B、API 605

BW end dimension: ASME B16.25

Face to face: ASME B16.10

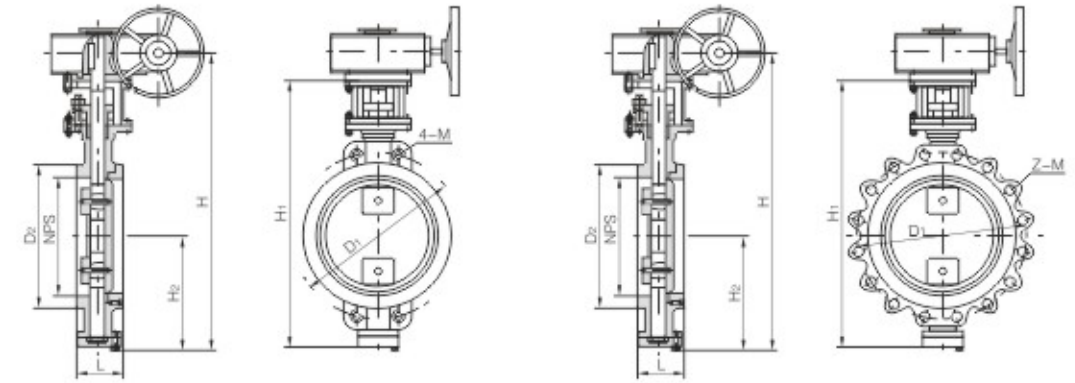
Pressure-temperature ratings: ASME B16.34

Wall thickness dimension: API 600 and BS 1868



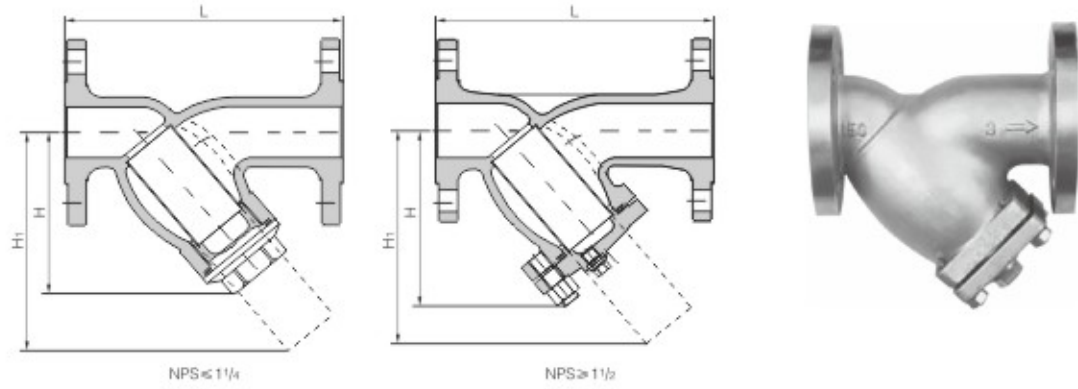
Parts No.	Parts Name
1	Body
2A	Seat
2B	O-ring(no this of metal seat)
3	Disc
4	Washer
5	Split Pin
6	Disc Nut
7	Hinge
8	Pin
9	Yoke
10	Washer
11	Screw
12	Hook Screw
13	Cover
14	Gasket
15	Hexagon Nut
16	Bolt

ANSI Butterfly Valve



Class	Size	Dimensions(mm)								Weight(kg)		
		L			D1	D2	H	H1	H2	RF	BW	WF
		RF	BW	WF								
Class 150	2"	43	107	43	120.5	92	345	280	110	20	21	9
	3"	64	114	49	152.5	127	380	315	125	29	27	11
	4"	64	127	56	190.5	157	415	350	145	35	34	13
	5"	70	140	64	216	186	455	390	165	40	41	16
	6"	76	140	70	241.5	216	545	455	175	81	43	26
	8"	89	152	71	298.5	270	615	522	210	94	81	34
	10"	114	165	76	362	324	695	605	250	156	102	51
	12"	114	178	86	432	381	830	730	285	183	132	72
	14"	127	190	92	476	413	900	800	320	239	164	106
	16"	140	216	102	540	470	980	870	355	302	193	133
	18"	152	222	114	578	533	1030	920	380	346	238	176
	20"	152	229	127	635	584	1110	1000	415	434	302	290
	24"	178	267	154	749.5	692	1305	1155	475	638	457	394
	30"	229	292	165	914	857	1525	1375	580	788	910	476
32"	241	318	190	978	914	1585	1435	630	880	1093	618	
36"	241	330	203	1085	1022	1765	1585	680	1042	1410	762	
42"	305	410	251	1257	1194	1871	1610	680	1670	1870	963	
Class 300	2"	43	160	43	127	92	345	280	110	27	24	11
	3"	64	180	49	168	127	380	315	125	31	27	12
	4"	64	190	56	200	157	415	350	145	38	38	15
	5"	70	200	64	235	186	455	390	165	43	50	18
	6"	76	210	70	270	216	545	455	175	45	54	28
	8"	89	230	71	330	270	615	522	210	85	100	37
	10"	114	250	76	387	324	695	605	250	110	130	56
	12"	114	270	86	451	381	830	730	285	142	260	71
	14"	127	290	92	514	413	900	800	320	172	280	116
	16"	140	310	102	571	470	980	870	355	201	320	146
	18"	152	330	114	628	533	1030	920	380	245	500	193
	20"	152	350	127	686	584	1110	1000	415	315	550	209
	24"	178	390	154	813	692	1305	1155	475	467	900	433
	30"	229	430	165	997	867	1525	1375	580	922	1234	523
32"	241	470	190	1054	914.5	1585	1435	630	1105	1468	838	
36"	241	510	203	1168	1022	1765	1585	680	1430	1782	972	
42"	305	550	251	1206.5	1136	1871	1610	680	1890	2300	1000	

Cast Steel Y Strainer



Standards

End flange dimension: ASME B16.5 or JIS B 2238

Pressure-temperature ratings: ASME B16.34

Size		Class 150, JIS 10K				Class 150, JIS 10K			
NPS	DN	Dimensions(mm)			Weight (kg)	Dimensions(mm)			Weight (kg)
		L	H	H ₁		L	H	H ₁	
1/2"	15	120	67	92	2	160	70	95	3
3/4"	20	130	73	105	2	160	80	110	4
1"	25	150	87	117	3	190	92	120	5
1 1/4"	32	170	100	138	4	220	105	142	7
1 1/2"	40	190	123	150	5	240	128	155	9
2"	50	220	147	179	13	250	152	184	16
2 1/2"	65	270	180	232	15	300	185	236	20
3"	80	290	198	263	18	320	204	266	24
4"	100	350	234	337	22	380	240	340	30
5"	125	390	274	383	42	460	280	386	50
6"	150	440	314	452	50	550	320	456	70
8"	200	540	400	555	91	600	410	560	115
10"	250	760	512	725	205	760	530	730	270
12"	300	870	581	870	297	870	600	875	380
14"	350	950	633	933	394	950	650	938	520

Stainless Steel Screw Valve Series

Z11 stainless steel wire gate valve

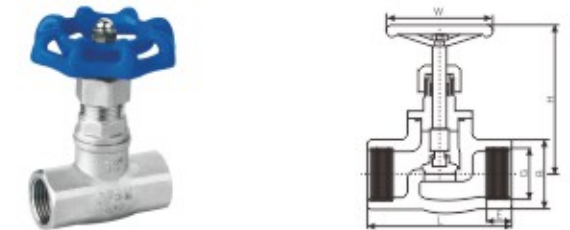


Product performance specification

Nominal pressure	PN1.6~6.4
Applicable medium	Water, oil, gas, nitric acid, acetic acid
Proper temperature	-40~180°C

Preparation: The above data is for reference only.

J11 stainless steel threaded stop valve

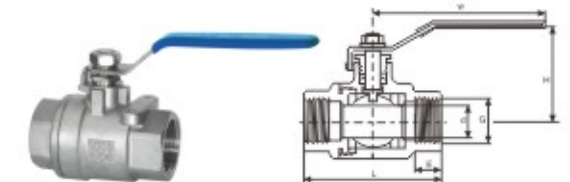


Product performance specification

Nominal pressure	PN1.6~6.4
Applicable medium	Water, oil, gas, nitric acid, acetic acid
Proper temperature	-40~180°C

Preparation: The above data is for reference only.

Q11F two-piece stainless steel internal thread ball valve



Product performance specification

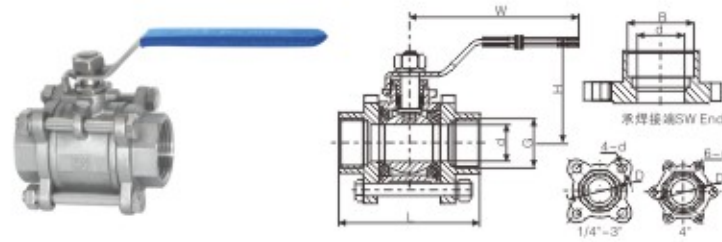
Product specifications	1/4"~4"(DN6~100)
Working pressure	1000PSI(6.5MPa)
Threaded end can be pressed	BSPT, NPT, DIN2999 Manufacture

Product connection size

NPS	DN	d	L	H	W
1/4"	6	10	55	42	95
3/8"	10	12	55	42	95
1/2"	15	15	62	51	108
3/4"	20	20	71	58	115
1"	25	25	82	77	135
1 1/4"	32	32	97	83	150
1 1/2"	40	38	107	97	175
2"	50	50	123	106	190
2 1/2"	65	65	142	122	220
3"	80	80	170	133	250
4"	100	100	204	162	320

Stainless Steel Screw Valve Series

Q11F three piece stainless steel internal thread ball valve



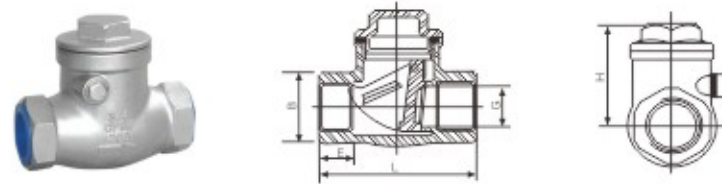
Product performance specification

Product specifications	1/4"-4"
Working pressure	1000PSI
Threaded end can be pressed	BSPT, NPT, DIN2999 Manufacture
Optional thread or socket weld port, butt weld optional with lock handle	

Product connection size

NPS	DN	d	L	H	W	4-d	B1	B2
1/4"	6	11.5	63	46	95	7	12	15
3/8"	10	12	63	46	95	7	14	17.2
1/2"	15	15	69	46	110	8	18	21.3
3/4"	20	20	80	54	110	8.5	25	26.9
1"	25	25	84	64	140	8.5	32	33.7
1 1/4"	32	32	102	69	140	10	38	42.4
1 1/2"	40	38	109	76	155	10	45	48.3
2"	50	50	130	86	180	11	57	60.3
2 1/2"	65	65	172	120	220	16	76	76.1
3"	80	80	194	150	260	18	89	88.9
4"	100	100	240	170	350	20	108	114.3

H14W stainless steel thread check valve



Product performance specification

Nominal pressure	PN≤1.6Mpa
Applicable medium	Water, oil, gas, nitric acid, acetic acid
Proper temperature	T≤180°C
Thread standard	55° inch G pipe thread

Product connection size

DN(mm)	G	L	E	B	H
6	1/4"	65	10	24	65
10	3/8"	65	10	24	65
15	1/2"	65	12	26	65
20	3/4"	80	17	32	80
25	1"	91	20	41	90
32	1 1/4"	104	20	51	105
40	1 1/2"	120	20	58	120
50	2"	140	23	69	140

GL11W stainless steel thread filter



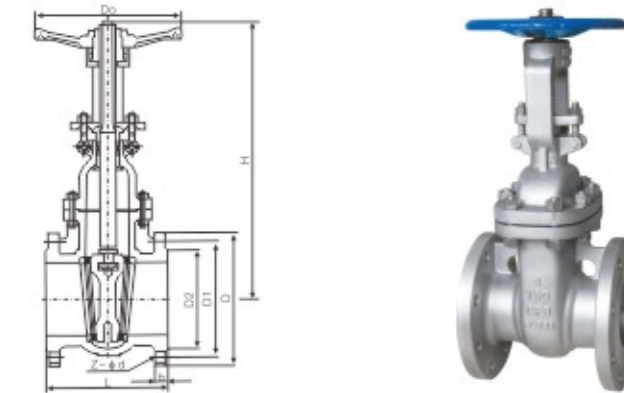
Product performance specification

Specification	1/2"-2"
Nominal pressure	800WOG/2.5MPa
Applicable temperature range	-40 ~ +232°C
Body material	CF8M
Thread standard	NPT, Rc, DIN259/2999
Design and manufacture	Refer to ANSI B16.34
Inspection and test	API598

Product connection size

SIZE	1/4"	3/8"	1/2"	3/4"	1"	1 1/4"	1 1/2"	2"
D	10	12	15	20	25	32	40	50
L	24	24	26	33	41	49	56	69
H	51	51	51	60	72	77	87	103
E	65	65	65	80	90	105	120	140
Weight	290	290	300	500	750	1000	1300	1600

API gate valve



Performance standard

Design and manufacturing	Structural length	Flange size	Testing and Inspection
ANSI B16.34, API 600	ANSI B16.10	ANSI B16.5	API598

Pressure test

pressure class(Lb)	Test pressure(MPa)			
	Shell	Seat (Water)	Seat (Air)	Upper seal
150	3.0	2.2	0.6	2.2
300	7.5	5.5		5.5
400	10.2	7.5		7.5
600	16.5	12.1		12.1
				12.1

Product parts and materials

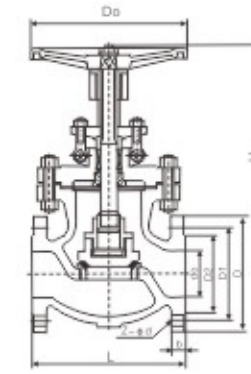
Part name	Material			
	P3	P8	R3	R8
Body	CF3	CF8	CF3M	CF8M
Gate	CF3	CF8	CF3M	CF8M
Bonnet	CF3	CF8	CF3M	CF8M
Stem	304L	304	316L	316
Packing	Flexible graphite			
Stem nut	Aluminum bronze			
Handwheel	Malleable iron			
Applicable medium	Nitric acid		Acetic acid	
Applicable temperature °C	≤200			

API gate valve

API globe valve

Product connection size

Nominal diameter		Connection dimension (mm)						Outline dimension (mm)	
NPS(in)	DN(mm)	L	D	D1	D2	b	Z-φd	H~	D0~
Z41W-150LbP3(P8、R3、R8)									
1/2"	15	108	89	60.5	35	10.5	4-15	188	90
3/4"	20	117	98	70	43	11.5	4-15	202	90
1"	25	127	108	79.5	51	12	4-15	224	100
1 1/4"	32	140	117	89	64	13	4-15	252	100
1 1/2"	40	165	127	98.5	73	15	4-15	277	140
2"	50	178	152	120.5	92	16	4-19	323	200
2 1/2"	65	190	178	139.5	105	18	4-19	347	250
3"	80	203	190	152.5	127	19	4-19	383	250
4"	100	229	229	190.5	157	24	8-19	457	300
5"	125	254	254	216	186	24	8-22	632	300
6"	150	267	279	241.5	216	26	8-22	672	350
8"	200	292	343	298.5	270	29	8-22	762	350
10"	250	330	406	362	324	31	12-25	895	400
12"	300	356	483	432	381	32	12-25	1080	450
14"	350	381	833	476	413	35	12-29	1295	500
16"	400	406	597	540	470	37	16-29	1435	600
18"	450	432	635	578	533	40	16-32	1626	650
20"	500	457	699	635	584	43	20-32	1829	650
24"	600	508	813	749.5	692	48	20-35	2175	760
Z41W-300LbP3(P8、R3、R8)									
1/2"	15	140	95	66.5	35	15	4-15	155	100
3/4"	20	152	117	82.5	43	16	4-19	160	100
1"	25	165	124	89	51	18	4-19	186	125
1 1/4"	32	178	133	98.5	63	19	4-19	216	160
1 1/2"	40	190	156	114.5	73	21	4-22	250	160
2"	50	216	165	127	92	23	8-19	330	250
2 1/2"	65	241	190	149	105	26	8-22	368	250
3"	80	283	210	168.5	127	29	8-22	394	300
4"	100	305	254	200	157	32	8-22	473	300
5"	125	381	279	235	186	35	8-22	660	350
6"	150	403	318	270	216	37	12-22	711	350
8"	200	419	381	330	270	42	12-25	813	400
10"	250	457	445	387.5	324	48	16-29	1003	450
12"	300	502	521	451	381	51	16-32	1137	500
14"	350	762	584	514.5	413	54	20-32	1489	600
16"	400	838	648	571.5	470	58	20-35	1581	650
18"	450	914	711	628.5	533	61	24-35	2017	680
20"	500	991	775	686	584	64	24-35	2228	760
24"	600	1143	914	813	692	70	24-41	2650	915



Performance standard

Design and manufacturing	Structural length	Flange size	Testing and Inspection
ANSI B16.34	ANSI B16.10	ANSI B16.5	API598

Pressure test

pressure class (Lb)	Test pressure			
	Shell	Seat (Water)	Seat (Air)	Upper seal
150	3.0	2.2	0.6	2.2
300	7.5	5.5		5.5
600	16.5	12.1		12.1

Product parts and materials

Part name	Material			
	P3	P8	R3	R8
Body	CF3	CF8	CF3M	CF8M
gate	CF3(304L)	CF8(304)	CF3M(316L)	CF8M(316)
Bonnet	CF3	CF8	CF3M	CF8M
stem	304L	304	316L	316
Packing	Flexible graphite			
Stem nut	Aluminum bronze			
Handwheel	Malleable iron			
Applicable medium	Nitric acid		Acetic acid	
Applicable temperature°C	≤200			

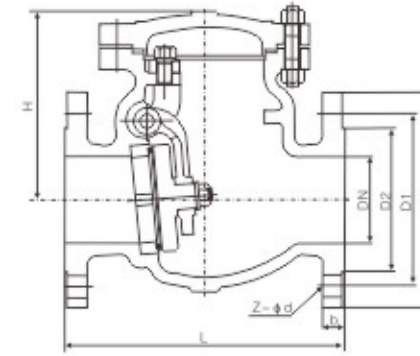
API globe valve

Product connection size

Nominal diameter		Connection dimension (mm)								Outline dimension (mm)	
NPS(in)	DN(mm)	do	L	D	D1	D2	f	b	Z-φd	H≈	Do≈
J41W-150LbP3(P8, R3, R8)											
1/2"	15	15	108	89	60.5	35	1.6	11.5	4-15	241	125
3/4"	20	20	117	98	70	43	1.6	11.5	4-15	241	125
1"	25	25	127	108	79.5	51	1.6	12	4-15	242	125
1 1/4"	32	32	140	117	89	63	1.6	13	4-15	280	160
1 1/2"	40	40	165	127	98.5	73	1.6	15	4-15	286	160
2"	50	51	203	152	120.5	92	1.6	16	4-19	360	200
2 1/2"	65	64	216	178	139.5	105	1.6	18	4-19	387	240
3"	80	76	241	190	152.5	127	1.6	19	4-19	411	280
4"	100	102	292	229	190.5	157	1.6	24	8-19	454	280
5"	125	125	356	254	216	186	1.6	24	8-22	515	320
6"	150	152	406	279	241.5	216	1.6	26	8-22	541	360
8"	200	203	495	343	298.5	270	1.6	29	8-22	651	450
J41W-300LbP3(P8, R3, R8)											
1/2"	15	15	152	95	66.5	35	1.6	15	4-15	241	125
3/4"	20	20	178	117	82.5	43	1.6	16	4-19	241	125
1"	25	25	203	124	89	51	1.6	18	4-19	283	160
1 1/4"	32	32	216	133	98.5	63	1.6	19	4-19	320	200
1 1/2"	40	40	229	156	114.5	73	1.6	21	4-22	350	200
2"	50	51	267	165	127	92	1.6	23	8-19	399	240
2 1/2"	65	64	292	190	149	105	1.6	26	8-22	438	280
3"	80	76	318	210	168.5	127	1.6	29	8-22	464	280
4"	100	102	356	254	200	157	1.6	32	8-22	565	320
5"	125	125	400	279	235	186	1.6	35	8-22	614	400
6"	150	152	444	318	270	216	1.6	37	12-22	717	450
8"	200	203	559	381	330	270	1.6	42	12-25	930	500

Nominal diameter		Connection dimension (mm)								Outline dimension (mm)	
NPS(in)	DN(mm)	L	D	D1	D2	f	b	Z-φd	H≈	Do≈	
J41W-600LbP3(P8, R3, R8)											
1/2"	15	165	95	66.5	35	6.4	15	4-15	160	156	
3/4"	20	190	118	82.5	43	6.4	16	4-19	160	161	
1"	25	216	124	89	51	6.4	18	4-19	160	187	
1 1/4"	32	229	133	98.5	64	6.4	21	4-19	200	214	
1 1/2"	40	241	156	114.5	73	6.4	23	4-22	200	252	
2"	50	292	165	127	92	6.4	26	8-22	280	430	
2 1/2"	65	330	190	149	105	6.4	29	8-22	300	430	
3"	80	356	210	168	127	6.4	32	8-22	320	480	
4"	100	432	273	216	157	6.4	38	8-25	400	530	
5"	125	508	330	266.5	186	6.4	45	8-29	450	650	
6"	150	559	356	292	216	6.4	48	12-29	500	750	
8"	200	660	419	349	270	6.4	56	12-32	600	1050	

API swing check valve



Performance standard

Design and manufacturing	Structural length	Flange size	Testing and inspection
ANSI B16.34	ANSI B16.10	ANSI B16.5	API 598

Pressure test

Nominal pressure PN(Lb)	Test pressure (MPa)			
	Strength	Seal (water)	Seal (gas)	Upper seal
150	3.0	2.2	0.6	2.2
300	7.5	5.5		5.5
600	16.5	12.1		12.1

Product parts and materials

Part name	Material			
	P3	P8	R3	R8
Body	CF3	CF8	CF3M	CF8M
Disc	CF3(304L)	CF8(304)	CF3M(316L)	CF8M(316)
Bonnet	CF3	CF8	CF3M	CF8M
Rocker	CF3	CF8	CF3M	CF8M
Pin shaft	304L	304	316L	316
Applicable medium	Nitric acid		Acetic acid	
Applicable temperature°C	≤200			

API swing check valve

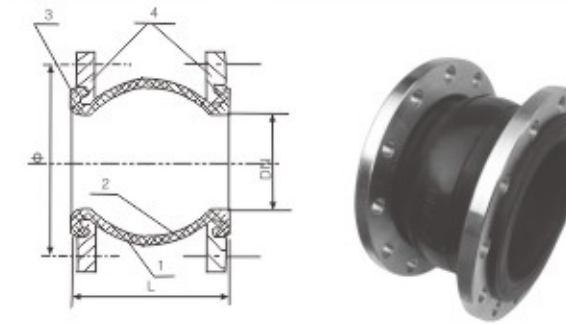
Product connection size

Nominal Diameter		Size (mm)						
NPS(in)	DN(mm)	L	D	D1	D2	b	Z-φd	H
H41W-150LbP3(P8, R3, R8)								
2"	50	203	152	120.5	92	16	4-19	161
2 1/2"	65	216	178	139.5	105	18	4-19	180
3"	80	241	190	152.5	127	19	4-19	190
4"	100	292	229	190.5	157	24	8-19	203
5"	125	330	254	216	186	24	8-22	229
6"	150	356	279	241.5	216	26	8-22	257
8"	200	495	343	298.5	270	29	8-22	292
10"	250	622	406	362	324	31	12-25	355
12"	300	698	483	432	381	32	12-25	396
14"	350	787	533	476	413	35	12-29	445
16"	400	864	597	540	470	37	16-29	490
18"	450	978	635	578	533	40	16-32	520
20"	500	978	699	635	584	43	20-32	546
H41W-300LbP3(P8, R3, R8)								
2"	50	267	165	127	92	23	8-19	178
2 1/2"	65	292	190	149	105	26	8-22	190
3"	80	318	210	168.5	127	29	8-22	216
4"	100	356	254	200	157	32	8-22	241
5"	125	400	279	235	186	35	8-22	267
6"	150	444	318	270	216	37	12-22	305
8"	200	533	381	330	270	42	12-25	368
10"	250	622	445	387.5	324	48	16-29	394
12"	300	711	521	451	381	51	16-32	445
14"	350	838	284	514.5	413	54	20-32	470
16"	400	864	648	571.5	470	58	20-35	533
18"	450	978	711	628.5	533	61	24-35	584
20"	500	1016	722	686	584	64	24-35	610

Nominal Diameter		Size (mm)									
NPS(in)	DN(mm)	L		D	D1	D2		D8	b	Z-d	H
		Series1	Series2			Series1	Series2				
H41W-600LbP3(P8, R3, R8)											
2"	50	292	295	165	127	92	108	82.6	26	8-19	203
2 1/2"	65	330	334	190	149	105	127	101.6	29	8-22	229
3"	80	356	359	210	168	127	146	123.8	32	8-22	235
4"	100	432	435	273	216	157	175	149.2	38	8-25	286
5"	125	508	511	330	266.5	186	210	181.0	45	8-29	292
6"	150	559	562	356	292	216	241	211.0	48	12-29	330
8"	200	660	664	419	349	270	302	169.9	56	12-32	381
10"	250	787	791	508	432	324	356	232.8	64	16-35	457
12"	300	838	842	559	489	381	413	381.0	67	20-35	584
14"	350	889	892	603	527	413	457	419.1	70	20-38	635
16"	400	991	-	686	603	470	-	-	77	20-41	584

Rubber Dampers (Rubber Joint)

Structure Diagram



1, Body 2, lined 3, skeleton 4, flange

Function and specification

Type	KXT-1.6	KXT-1.0	KXT-0.6
Project			
Working pressure	1.6Mpa	1.0Mpa	0.6Mpa
Blasting pressure	4.5Mpa	3.0Mpa	1.8Mpa
Vacuum degree	60Kpa	50Kpa	45Kpa
Suitable temperature	20°C-80°C		
Applicable medium	Air, compressed air, water, sea water, hot water, acids, bases, etc.		

Product introduction

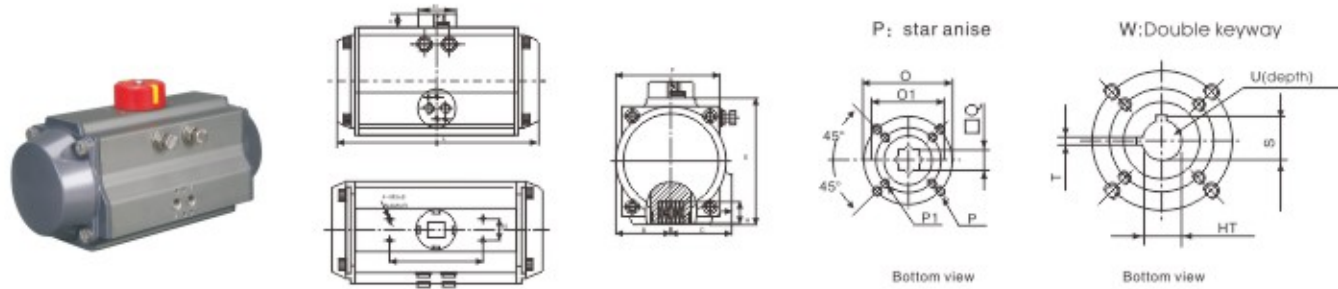
KXT-16 flexible rubber pipe joints in the United States and Japan in the late 1980s, the first study of a flexible pipe connector invention, it is widely used pumping station, pumping stations, heating, air conditioning, ventilation and other pump to transport all kinds of fluid medium and connecting pipeline, it can stretch, compression, deflection displacement, which can effectively prevent pipe damage due to foundation settlement caused by the pipeline and pipe rupture caused by thermal expansion and contraction. And high pressure resistance, corrosion resistance, aging, vibration absorption, noise reduction effect is obvious, right protective equipment and prolong the service life of the equipment will play a major role.

Product connection size

Nominal Diameter (mm)	DN (inch)	Length L	Flange Thickness B	Bolt hole circle diameter	Bolt hole diameter do	Number of bolts h	Lateral displacement		Lateral displacement	Deflection angle a ₁ + a ₂
							Elongation	Compression		
32		85	18	100	18	4	8	10	10	15°
40	3	95	18	110	18	4	8	10	10	15°
50	4	105	18	125	18	4	8	10	10	15°
65	5	115	20	145	18	4	8	10	10	15°
80	6	135	20	160	18	8	10	12	12	15°
100	8	150	22	180	18	8	10	12	12	15°
125	10	165	24	210	18	8	12	12	12	15°
150	12	180	24	240	22	8	14	12	12	15°
200	14	190	24	295	22	8	14	16	12	14°
250	16	230	28	350	22	12	14	16	16	12°
300	18	245	28	400	22	12	14	18	16	10°
350	20	255	28	460	22	16	14	18	18	8°
400	24	255	30	515	26	16	14	20	18	8°
450	28	255	30	565	26	20	14	20	20	6°
500	32	255	32	620	26	20	14	22	20	6°
600	36	260	36	725	30	20	14	22	22	5°
700	40	260	36	840	30	24	14	22	22	4°
800	48	260	36	950	33	24	15	22	22	4°
900	56	260	36	1050	33	24	15	22	22	3°
1000	64	260	36	1120	30	28	15	22	22	3°
1200	72	300	36	1340	33	32	15	22	22	3°
1400	80	320	40	1560	36	36	15	22	22	3°
1600	88	350	42	1760	36	40	15	22	22	3°
1800	96	400	44	1970	39	44	18	24	24	2°
2000		450	48	2180	42	48	18	24	24	2°
2200		500	52	2390	42	52	20	24	25	1.5°
2400		550	56	2600	42	56	20	24	25	1.5°

Note: 1, flange connection data in line with GB / T17241.6-19988 standard.
2, table DN32-1000 working pressure is 1.0Mpa DN1000-2400 product working pressure 0.6Mpa Layer nets

Electric/pneumatic actuator



Actuator size data sheet

model	A	B	C	D	E	F	G	H	ΦI	ΦO	ΦO1	P1	P	□Q	Z
AT052S/D	147	30	41.5	20	92	65	80	14	40	50	36	M5x8	M6x10	11	G1/4
AT063S/D	168	36	47	20	107.50	72	80	17	40	70	50	M6x10	M8x13	14	G1/4
AT075S/D	184	42	53	20	119.50	81	80	17	40	70	50	M6x10	M8x13	14	G1/4
AT083S/D	210	46	57	20	129	92	80	21	40	70	50	M6x10	M8x13	17	G1/4
AT092S/D	262	50	58.50	20	137	98	80	22	40	70	50	M6x10	M8x13	17	G1/4
AT105S/D	273	58	64	20	153	109.5	80	26	40	102	70	M8x13	M10x16	22	G1/4
AT125S/D	301	68	74	30	175	127	130	26	56	102	70	M8x13	M10x16	22	G1/4
AT140S/D	400	75	77	30	193	137	130	32	56	125	102	M10x16	M12x20	27	G1/4
AT160S/D	458	87	89	30	218	158	130	32	56	125	102	M10x16	M12x20	27	G1/4
AT190S/D	525	103	103	30	260	189	130	40	80	140		M16x25		36	G1/4
AT210S/D	535	113	113	30	285	210	130	40	80	140		M16x25		36	G1/4
AT240S/D	595	130	130	30	319	245	130	50	80	165		M20x25		46	G1/4
AT270S/D	722	147	147	30	356	273	130	50	80	165		M20x25		46	G1/2



Performance parameter

performance	model	02	03	05	10
Output torque		20Nm	30Nm	50Nm	100Nm
90° action time		4S	10S	20S/60S	30S/60S
Rotation angle range		0~360°	0~360°	0~360°	0~360°
Motor Power		10W	10W	15W	25W
Total Weight		2kg	2kg	2kg	3kg
power supply		AC110V, AC220V, AC380V, DC24V			
Insulation resistance		100M/500VDC			
Pressure rating		1500VAC 1min			
Protection level		ZP65, 67			
Mounting orientation		360° installation at any angle			
Electrical Interface		G1/2 waterproof cable connector, power cable, signal cable			
Ambient temperature		-30°C~+60°C			
Control circuit		Type A: Limit reset switch (standard type) Type S: with potentiometer R type with potentiometer Rs type: with potentiometer and intermediate position switch P type: with servo controller (regulating valve) F type: with R / I converter			
Optional function		◆Dehumidification heater ◆Stainless steel bracket, coupling			

After-sale service



Express freight

VALTEC company delivery process, good logistics partners, is the guarantee to customers for receive products in the shortest time.

Hotline service

The company has a sound service system, service hotline at any time to provide customers with pre-sale, sale, the after-sales service. Professional after-sales service personnel are on standby at the moment.

After sales service

24 Hours Service and quick response after-sales team to give solution fast to the users